

**Dishwasher**  
**Lave Vaisselle**



**BOSCH**

**en** Operating instructions

**fr** Guide d'Utilisation

Dear Valued Customer,

Welcome and congratulations on your new Bosch® dishwasher purchase! Our German engineers work tirelessly to craft machines with virtually silent operation, resource-saving efficiency, and optimum quality. We know you'll be pleased.

For other premium Bosch® appliances, visit us online at:  
*www.bosch-home.com/us (USA)*

or

*www.bosch-appliances.ca (Canada)*

While there, don't forget to register your new dishwasher by clicking on the Customer Support tab or filling out the product registration card enclosed with your new unit.

If you have any questions or comments, please contact us at: 1-800-944-2904  
or write us at:

*<http://www.bosch-home.com/us/customer-support/contact-us.html>*

### **Table of Contents**

<b>Important Safety Instructions.....</b>	<b>2-3</b>
<b>Dishwasher Components.....</b>	<b>3-4</b>
<b>Dishwasher Setup.....</b>	<b>5-6</b>
<b>Dishware Materials.....</b>	<b>7</b>
<b>Loading the Dishwasher.....</b>	<b>7</b>
<b>Rack Features.....</b>	<b>8</b>
<b>Dishwasher Cycles and Options.....</b>	<b>8</b>
<b>Wash Cycle Information.....</b>	<b>9</b>
<b>Operating the Dishwasher.....</b>	<b>9-10</b>
<b>Care and Maintenance.....</b>	<b>11</b>
<b>Self Help.....</b>	<b>12-13</b>
<b>Customer Service.....</b>	<b>14</b>
<b>Warranty Information.....</b>	<b>15</b>

# IMPORTANT SAFETY INSTRUCTIONS: Please READ and SAVE this information

## WARNING

Misuse of the dishwasher can result in serious injury or death. Do not use the dishwasher in any way not covered in this manual or for any purpose other than those explained in the following pages.



Severe product damage and/or injury could result from the use of unqualified service technicians or non-original replacement parts. All repairs must be performed by a qualified service technician using only original equipment factory replacement parts.



Electrical shock or fire could result if the electrical supply for the dishwasher covered in this manual is incorrectly installed or if the dishwasher has been improperly grounded. Do not use the dishwasher covered in this manual unless you are certain the electrical supply has been correctly installed and the dishwasher has been properly grounded.



Never use harsh chemicals to clean your dishwasher. Some chloride-containing products can damage your dishwasher and may present health hazards!



Only sanitizing cycles have been designed to meet the requirements of 6 for soil removal and sanitation efficacy. There is no intention, either directly or indirectly, to imply that all cycles on a certified machine have passed the sanitization performance test.

## NOTICE

Never use steam cleaning products to clean your dishwasher. The manufacturer will not be liable for the possible damages or consequences.



It is highly recommended for the end user to become familiar with the procedure to shut off the incoming water supply and the procedure to shut off the incoming power supply. See the Installation Instructions or contact your installer for more information.



NSF/ANSI 184 Certified residential dishwashers are not intended for licensed food establishments.

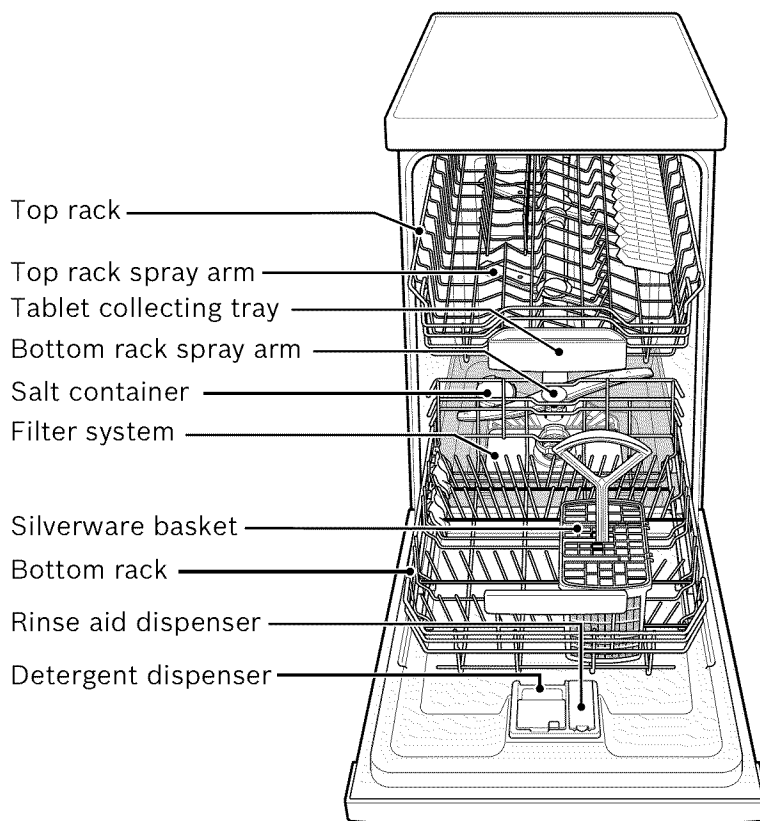


## **WARNING: To reduce the risk of fire, electrical shock, or serious injury, observe the following:**

- 1 This dishwasher is provided with Installation Instructions and this Use and Care Manual. Read and understand all instructions before using the dishwasher.
- 2 This appliance must be grounded to a metal, permanent wiring system, or an equipment grounding conductor must be run with the circuit conductors and connected to the equipment grounding terminal or lead on the dishwasher. See the Installation Instructions included with this dishwasher for more information on electrical requirements.
- 3 Use this dishwasher only for its intended function, which is the washing of household dishware and kitchenware.
- 4 Use only detergents or rinsing agents recommended for use in a dishwasher, and keep them out of the reach of children.

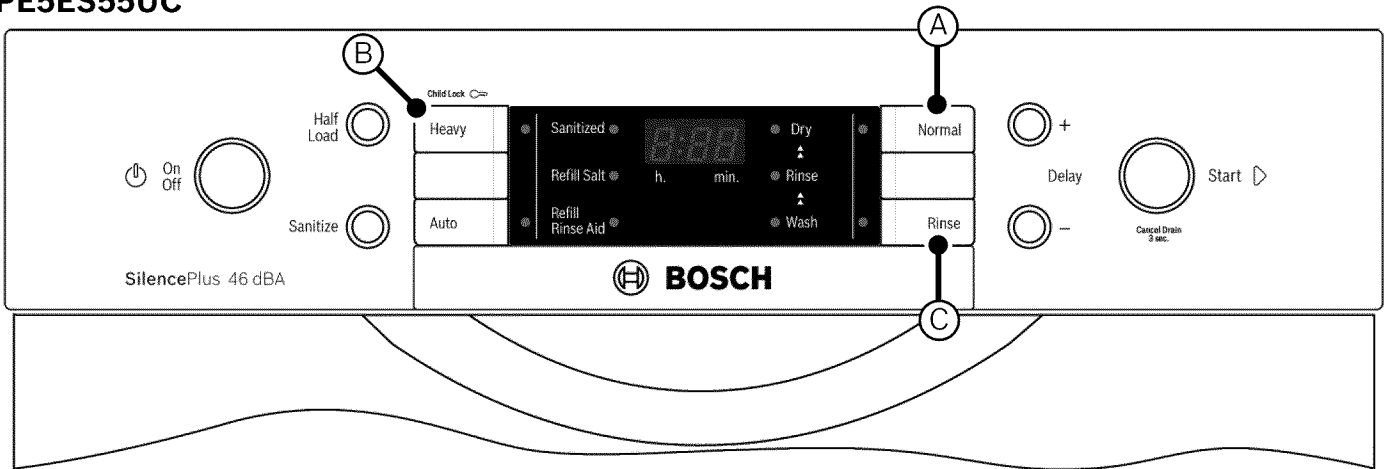
- 5 When loading items to be washed:
  - Locate sharp items so they are not likely to damage the door seal.
  - Load knives and other sharp utensils with their HANDLES UP to reduce the risk of cut-type injuries.
  - Do not wash plastic items unless they are marked “dishwasher safe” or the equivalent. For plastic items not so marked, check the manufacturer’s recommendations.
  - Do not operate your dishwasher unless all enclosure panels are in place.
  - Do not tamper with or override controls and interlocks.
- 6 Do not abuse, sit or stand on the door or dish racks of the dishwasher.
- 7 To reduce risk of injury, do not allow children to play in or on the dishwasher.
- 8 When children become old enough to operate the appliance, it is the legal responsibility of the parents/legal guardians to ensure the children are instructed in safe practices by qualified persons.
- 9 Under certain conditions, hydrogen gas may be produced in a hot water system that has not been used for two weeks or more. Hydrogen gas is explosive. Before using a dishwasher that is connected to a hot water system that has been unused for two weeks or longer, turn on all hot water faucets and let the water flow from each for several minutes. This will release any accumulated hydrogen gas. As the gas is explosive, do not smoke or use an open flame during this time.
- 10 Remove the dishwasher door to the washing compartment when removing an old dishwasher for service or discarding.
- 11 To avoid floor damage and possible mold growth, do not allow wet areas to remain around or under the dishwasher.
- 12 Protect your dishwasher from the elements. Protect against freezing to avoid possible damage to the fill valve. Damage caused by freezing is not covered by the warranty.
- 13 For a cord-connect appliance:
  - This appliance must be grounded. In the event of a malfunction or breakdown, grounding will reduce the risk of electric shock by providing a path of least resistance for electric current. This appliance is equipped with a cord having an equipment-grounding conductor and a grounding plug. The plug must be plugged into an appropriate outlet that is installed and grounded in accordance with all local codes and ordinances.
  - Improper connection of the equipment-grounding conductor can result in risk of electric shock. Check with a qualified electrician or service representative if you are in doubt whether the appliance is properly grounded. Do not modify the plug provided with the appliance, if it will not fit the outlet, have a proper outlet installed by a qualified electrician.

## Dishwasher Components

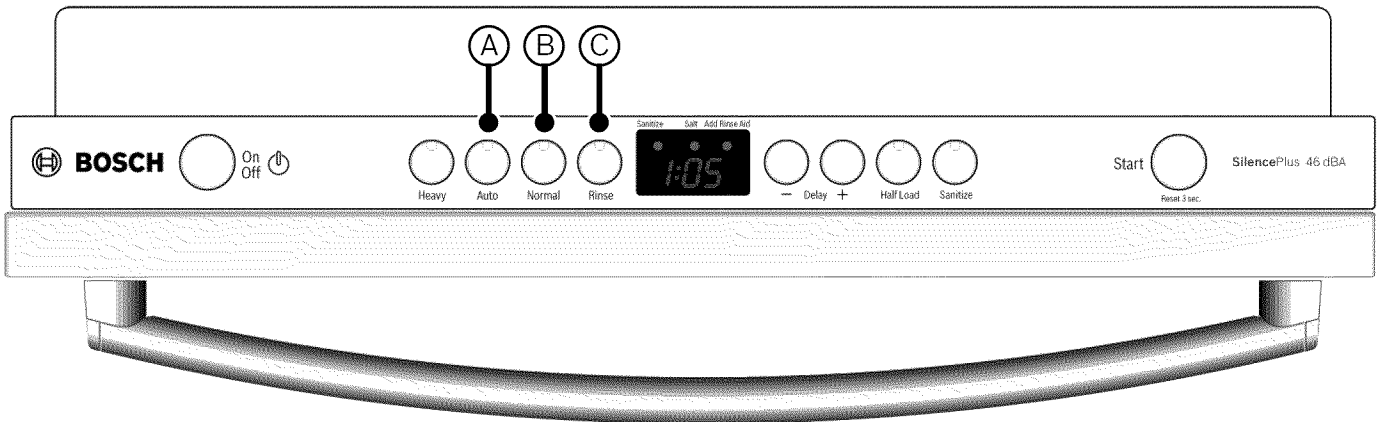


Wash Cycles					Additional Features					
Model	Heavy	Auto	Normal	Rinse	Adjustable Top Rack	Delay Start	Flip Tines	Half Load Option	InfoLight	Sanitize Option
SPE5ES55UC	X	X	X	X	3-step RackMatic®	X	X	X		X
SPX5ES55UC	X	X	X	X	3-step RackMatic®	X	X	X	X	X
SPV5ES53UC	X	X	X	X	3-step RackMatic®	X	X	X	X	X

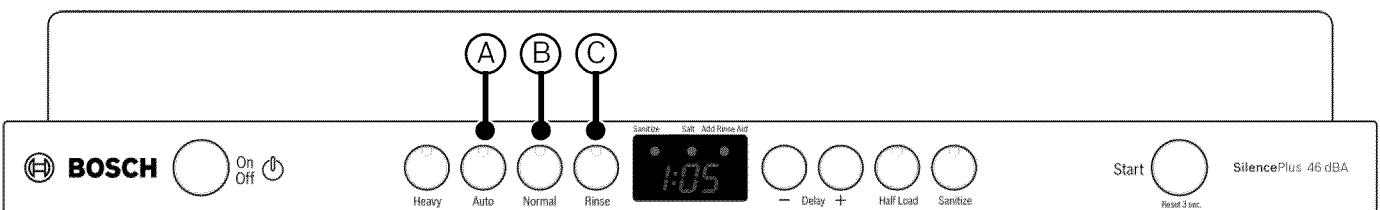
### SPE5ES55UC



### SPX5ES55UC



### SPV5ES53UC



# Dishwasher Setup

## Water Softening System

Your dishwasher requires soft water to ensure proper washing results and is equipped with an internal water softening system. However, if you have a household water softening system, the internal system provided is not needed.

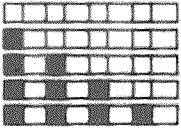
For the water softening system to function properly, it will need to use dishwasher water softening salt. The amount of salt dispensed can be set from “H:00” to “H:07”. Salt is not required at H:00 (default factory setting). The amount of salt required depends on the degree of hardness of your tap water. See **Table 1**.


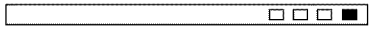

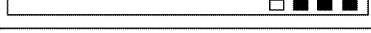

- 1 Open the door (top controls only) and turn the unit on using the **[ON/OFF]** button.
- 2 Hold down the “**A**” button (see page 4) and press **[START]** until the display indicates “**H:00**”.
- 3 Release both buttons and press the “**C**” button to select the desired setting.
- 4 Save the selected setting by pressing **[START]** and close the door (top controls only).

**Table 1 - Water hardness**

Tap water hardness ppm CaCO <sub>3</sub> /l	Setting of internal water softener	Fill water softener with salt?
0 - 110	H:00	no
120 - 140	H:01	yes
150 - 180	H:02	yes
190 - 210	H:03	yes
220 - 290	H:04	yes
300 - 370	H:05	yes
380 - 540	H:06	yes
550 - 890	H:07	yes

## Using the water hardness test strip

Kurz eintauchen (1 sec), leicht abschütteln und nach 1 min ablesen. 4 grün/green/vert 1 rot/red/rouge 2 rot/red/rouge 3 rot/red/rouge 4 rot/red/rouge	Dip briefly (1 sec), shake off excess water and compare after 1 min. 	Plongez brièvement (1 sec), égouttez l'excès d'eau et comparez après 1 min. <3°dH/ <3.75°e/ <5.4°F >4°dH/ >5°e/ >7.2°F >8.4°dH/ >10.5°e/ >15.1°F >14°dH/ >17.5°e/ >25.2°F >21°dH/ >26.25°e/ >37.8°F	<b>AQUADUR®</b> Teststäbchen zur Bestimmung der Wasserhärte Test stick for determination of water hardness Bandelette pour déterminer la dureté de l'eau
--	--	--	---

Dip the test strip into tap water for a second. Shake off excess water and wait approximately 1 minute before comparing results.	After 1 minute the test strip will show you the correct setting	Setting of internal water softener	Fill water softener with salt?
	0	H:00	no
	1	H:00	no
	2	H:02	yes
	3	H:04	yes
	4	H:06	yes

## Salt

Refill the salt container, using a funnel to pour, right before turning on the unit to ensure that salt overflow is immediately washed away. This prevents corrosion. See **Figure 1**.

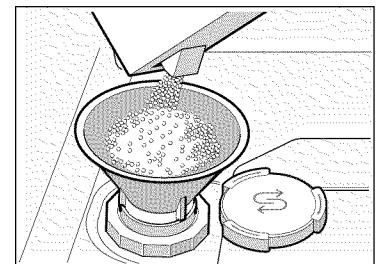
- 1 Open the screw cap of the salt container.
- 2 Fill the container with water (only required when turning on the unit for the first time).
- 3 Add dishwasher salt until the water is displaced and runs out.
- 4 Refill with salt as soon as the “Refill Salt” or “Salt” LED is lit.

**Notice:** Never fill the salt dispenser with detergent. It will destroy the water softening system. To prevent corrosion, refill with salt and immediately begin any cycle.

*Note: Do not use salt tablets or any salt other than dishwasher water softening salt.*

For more information about ordering salt please contact Customer Service.

**Figure 1**



## Detergent

Use only detergent specifically designed for dishwashers.

*Note: To avoid dishwasher damage, do not use hand dishwashing products in your dishwasher.*

The dishwasher uses less water than most, therefore, less detergent is required. With soft water, 1 tablespoon (15ml) of detergent will clean most loads. The detergent dispenser cup has lines that measure detergent (**Figure 2**) to 1 tablespoon (15ml) and 2 tablespoons (25ml). 3 tablespoons (45ml) of detergent will completely fill the detergent dispenser.

*Note: If you do not know the hardness of your water supply, use 15ml (1 tbsp) of detergent. Increase the amount if necessary to the least amount required to get your kitchenware clean.*

Use the measuring lines in the detergent dispenser cup as a guide to measure the amount of detergent recommended in **Table 2**.

### To Close:

- Place finger as shown in **Figure 3**.
- Slide door closed and press down firmly until it clicks.

### To Open:

- To open the cover, push the button as shown in **Figure 4**.
- Cover will slide open.

**Table 2- Recommended Detergent Amount**

Wash Cycle	Hard Water/ Heavy Soil	Medium Water/ Medium Soil	Soft Water/ Little Soil
Heavy	45ml 3 tbsp	45ml 3 tbsp	25-45ml 1.75-3 tbsp
Auto	25-45ml 1.75-3 tbsp	25ml 1.75 tbsp	15-25ml 1-1.75 tbsp
Normal	25-45ml 1.75-3 tbsp	25ml 1.75 tbsp	15-25ml 1-1.75 tbsp
Rinse	None	None	None

## Rinse Aid

To achieve proper drying, always use a liquid rinse aid, even if your detergent contains a rinse aid or drying additive.

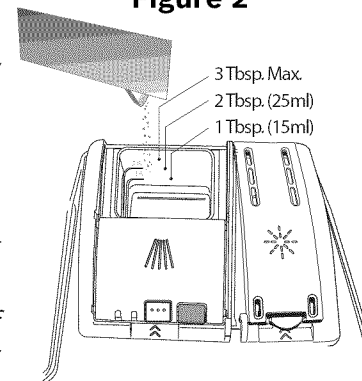
*Note: The dishwasher indicates low rinse aid by turning on the “Refill Rinse Aid” or “Add Rinse Aid” LED in the display.*

*If this light is on, you need to refill the rinse aid dispenser by following the directions below.*

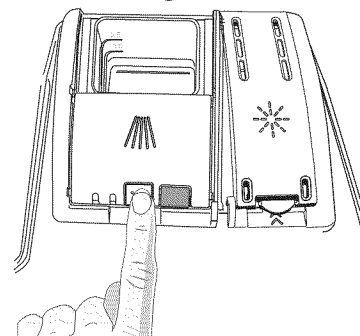
### Adding Rinse Aid

Add liquid rinse aid to the dispenser until the reservoir is full (see **Figure 5**). Wipe up any excess rinse aid that may puddle when the dispenser reservoir is full. The indicator light will go out a few moments after the dishwasher door is shut. See **page 9** for how to adjust the amount of rinse aid dispensed.

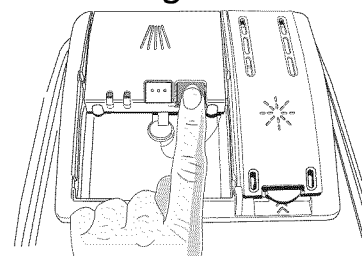
**Figure 2**



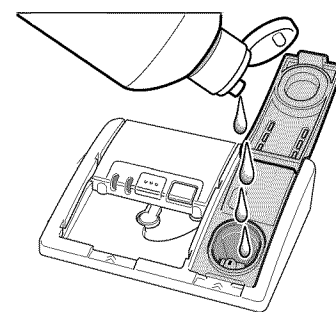
**Figure 3**



**Figure 4**



**Figure 5**



# Dishware Materials

*Note: Before using your dishwasher for the first time, check the information in this section. Some items are not dishwasher safe and should be hand washed; others require special loading.*

## Recommended

**Aluminum:** Colored anodized aluminum may fade over time. Minerals in your water may cause the aluminum to darken or spot. This can usually be removed with a soap-filled steel wool pad.

**China, Crystal, Stoneware:** Some hand-painted utensils may discolor, fade or spot. Hand wash these utensils. Position fragile glassware so that it will not fall over or come in contact with other utensils during the wash cycle.

**Glass:** Milk glasses may discolor or become yellow.

**Non-stick Coatings:** Apply a light coating of vegetable oil to non-stick surfaces after drying.

**Plastics:** Make sure the plasticware is dishwasher safe.

**Stainless Steel, Sterling Silver and Silver Plates:** Load these so they do not come in contact with other metals.

## Not Recommended

**Acrylic:** crazing, small cracks throughout the acrylic, may occur.

**Adhesive-Joined Pieces:** Adhesives that join materials such as plastic, wood, bone, steel, copper, tin, etc. may loosen.

**Bone-Handled Utensils:** Handles may separate.

**Iron:** Iron will rust. Hand wash and dry immediately.

**Non-Dishware Items:** Your dishwasher is intended for use in cleaning ONLY standard household dishware and kitchenware.

**Pewter, Brass, Bronze:** These items will tarnish. Hand wash and dry immediately.

**Tin:** Tin will stain. Hand wash and dry immediately.

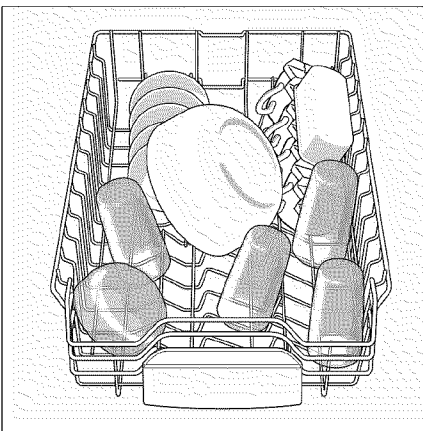
**Wood:** Wooden bowls, wooden utensils and utensils with wooden handles can crack, warp and lose their finish.

# Loading the Dishwasher

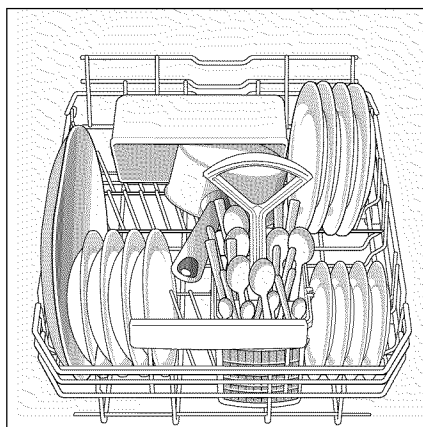
Do not pre-wash items with loosely attached soiling. Remove all food particles, bones, toothpicks and excessive grease. Items having burned-on, baked-on or starchy soils may require some pretreatment. Refer to the Dishware Materials section above for more information about dishware suitability.

Load only dishwasher safe items into the dishwasher. Load dishes in the dishwasher racks so the insides of bowls, pots and pans are facing the spray arms as shown. Avoid nesting and contact points between dishes. Separate items of dissimilar metals.

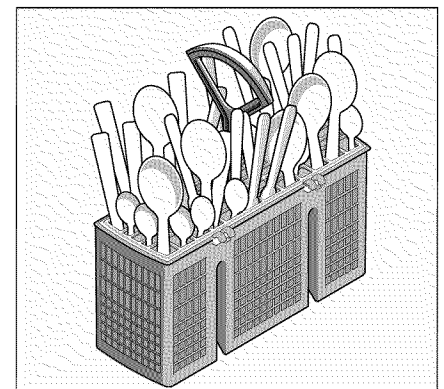
Top Rack



Bottom Rack



Silverware Basket



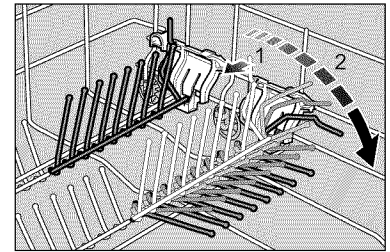


# Rack Features

## Flip Tines

The racks consist of tines that can be folded down depending on what you may need to load in the rack. To fold down, grasp the folding tine and release from notch. Push folding tine downward to desired position as shown in **Figure 6**.

Figure 6



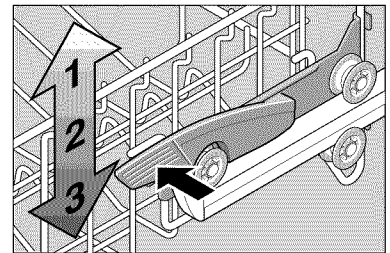
## 3-Step RackMatic®

The height of the upper rack can be adjusted in 3 steps to create more space.

- 1 Pull the empty top rack out of the dishwasher until it stops.
- 2 To lower the rack, push the lever inward then upward.
- 3 To raise, hold the empty rack by the sides and lift up.

*Note: Before pushing the top rack into the dishwasher, ensure the rack height is the same on both sides. If the height is not the same on both sides, the dishwasher door will not shut and the top rack spray arm will not connect to the water inlet.*

Figure 7



# Dishwasher Cycles and Options

## Wash Cycles

**Heavy:** Best for cleaning items with baked-on food or grease. These dishes would normally require soaking.

**Auto:** This is the most flexible cycle and is a good choice for everyday use. With our most complex soil sensing capability, this cycle is perfect for use with mixed loads of dishware with varying amounts of food soil.

**Normal:** Thoroughly cleans a full load of normally soiled dishes.

*Note: The Energy Guide Label was based on this soil sensing cycle with all available options turned off. As prescribed in the energy test procedure, the unit was tested without any Rinse Aid in the Rinse Aid dispenser. A single dose of detergent was used in the Detergent Dispenser, with no detergent used in the pre-wash. The test was conducted with the upper rack in the highest position.*

**Rinse:** Allows you to rinse food soil off of a partial load and hold them in the dishwasher until you are ready to run a full load.

## Wash Cycle Options

**Delay Start:** Allows you to delay the start time of your dishwasher in one hour increments up to 24 hours.

**Half Load:** In the Heavy, Auto and Normal wash cycles, the Half Load option can reduce the energy and water consumption when washing small, lightly soiled loads that fill approximately half of the dishwasher's capacity. To activate, select the Half Load button in addition to any of the three cycles listed above.

**Sanitize:** The Sanitize feature is available only in the Heavy, Auto and Normal cycles. Select one of these cycles, press the "Sanitize Option" button and then press Start to activate the Sanitation features. The sanitize LED will light when sanitation requirements are met. The technical sanitation measures may also improve the drying results.

*Note: The dishwasher automatically defaults to Auto when turned off and back on. If you used the sanitize option in your last cycle, the dishwasher will default to Auto with the Sanitize option selected when you turn it on.*

# Wash Cycle Information

The cycle times in this Use and Care Manual are based on normal soil loads and 120°F incoming water and will vary based on your actual conditions.

Table 3 - Wash Cycle Information

	Heavy	Auto	Normal	Rinse
cycle time	110-125 min	105-129 min	95-119 min	9 min
cycle time with Half Load option	110 min	95-105 min	90-99 min	--
cycle time with Sanitize option	125-145 min	120-140 min	115-130 min	--
water consumption	16.7-21.9 L 4.4-5.8 gal	11.1-20.0 L 2.9-5.3 gal	8.2-16.3 L 2.2-4.3 gal	4.0 L 1.0 gal
wash temperature	66-71°C 151-160°F	55-66°C 131-151°F	50-55°C 122-131°F	incoming incoming
rinse temperature	72°C 162°F	70°C 158°F	65-69°C 149-156°F	incoming incoming

Note: Only sanitizing cycles have been designed to meet the requirements of 6 for soil removal and sanitization efficacy. There is no intention, either directly or indirectly, to imply that all cycles have passed sanitization performance tests.

## Operating the Dishwasher

### Start the dishwasher

- 1 Open the door (top controls only) and press the **[On/Off]** button. The LED of the last selected cycle flashes.
- 2 Select a cycle and desired options.
- 3 Press **[Start]** and close the door (top controls only) to begin the cycle.

### Cancel a cycle

- 1 Open the door just far enough to expose the control panel (top controls only). Be careful of hot water that may splash out.
- 2 Press and hold the **[Start]** button for approximately 3 seconds until the display reads **"0:01"**.
- 3 Close the door (top controls only). Wait about 1 minute while the dishwasher drains.
- 4 Open the door (top controls only) and press the **[On/Off]** button.

### Interrupt a cycle

- 1 Open the door just far enough to expose the control panel. Be careful of hot water that may splash out (top controls only).
- 2 Press the **[On/Off]** button to turn the unit off.
- 3 To resume the cycle, press the **[On/Off]** button and close the dishwasher door (top controls only).

### Setting the amount of rinse aid

The amount of rinse aid dispensed can be set from "r:00" to "r:06".

To change the setting:

- 1 Open the door (top controls only) and press the **[On/Off]** button.
- 2 Hold down the **"A"** button (see page 4) and press **[Start]** until the display indicates **"H:00"**.
- 3 Release both buttons.
- 4 Press the **"A"** button until the display shows **"r:04"**.
- 5 Press the **"C"** button to select the desired setting.
  - "r:00" = dispenser is OFF
  - "r:01" = lowest setting
  - "r:02" = low setting
  - "r:03" = medium setting
  - "r:04" = medium/high setting
  - "r:05" = high setting
  - "r:06" = highest setting
- 6 Press **[Start]** to save the setting and close the door (top controls only).

## Delay Start

You can delay the start of the cycle in one hour increments up to 24 hours.

To set delay start:

- 1 Open the door (top controls only) and press the **[On/Off]** button.
- 2 Press the **[+]** button until the display jumps to “**h:01**”.
- 3 Press the **[+]** or **[-]** button until the displayed time corresponds with your requirements.  
**h:01** = 1 hour delay  
**h:24** = 24 hour delay
- 4 Press **[Start]** to activate delay start and close the door (top controls only).

To cancel delay start:

- 1 Press the **[+]** or **[-]** button until “**h:00**” is indicated on the digital display.
- 2 Press and hold **[Start]** for 3 seconds to cancel the cycle. You may now start a new cycle.

## InfoLight® (model dependent - top controls only)

An LED illuminates the floor to indicate the unit is running. If the appliance is installed at eye-level, the LED is not visible.

To change the setting:

- 1 Open the door and press the **[On/Off]** button.
- 2 Hold down the “**A**” button (see page 4) and press **[Start]** until the display indicates “**H:00**”.
- 3 Release both buttons.
- 4 Press the “**A**” button until the display shows “**1:01**”.
- 5 Press the “**C**” button to switch between “**1:01**” = ON and “**1:00**” = OFF and press **[Start]** to save.

## Cycle Completion Signal (model dependent - top controls only)

- 1 Open the door and press the **[On/Off]** button.
- 2 Hold down the “**A**” button (see page 4) and press **[Start]** until the display indicates “**H:00**”.
- 3 Release both buttons.
- 4 Press the “**A**” button until the display shows “**b:02**”.
- 5 Press the “**C**” button to increase or decrease the tone “**b:00**” = OFF and “**b:03**” = LOUDEST
- 6 Press **[Start]** to save setting and close the door.

## Intensive Drying

The final rinse uses a higher temperature which improves the drying results. The running time may increase slightly.

To turn intensive drying on:

- 1 Open the door (top controls only) and press the **[On/Off]** button.
- 2 Hold down the “**A**” button (see page 4) and press **[Start]** until the display indicates “**H:00**”.
- 3 Release both buttons.
- 4 Press the “**A**” button until the display shows “**d:00**”.
- 5 Press the “**C**” button to turn intensive drying on or off. “**d:01**” = ON and “**d:00**” = OFF
- 6 Press **[Start]** to save setting and close the door (top controls only).

## Auto Power Off

To save energy, the dishwasher is turned off 1 minute after the wash cycle ends. Auto Power Off can be adjusted from P:00 to P:02.

To change the factory setting (P:01):

- 1 Open the door (top controls only) and press the **[On/Off]** button.
- 2 Hold down the “**A**” button and press **[Start]** until the display indicates “**H:00**”.
- 3 Release both buttons.
- 4 Press the “**A**” button until the display indicates “**P:01**”.
- 5 Press the “**C**” button until the display corresponds with your requirements.  
**P:00** = dishwasher does not turn off automatically  
**P:01** = dishwasher turns off automatically after 1 minute  
**P:02** = dishwasher turns off automatically after 120 minutes (2 hours)
- 6 Press **[Start]** to save the setting and close the door (top controls only).

# Care and Maintenance

A regular inspection and maintenance of your machine will help to prevent faults. This saves time and prevents future problems.

## Overall condition of the machine

Never use a steam cleaner to clean your dishwasher. The manufacturer is not liable for any consequential damage.

Regularly wipe the front of the appliance with a damp cloth - water and a small amount of liquid soap is adequate. Do not use sponges with a rough surface or abrasive detergents, as these could scratch the surfaces.

Stainless steel appliances: To prevent corrosion, avoid using sponge cloths.

Clean the outer edges of the inside door panel regularly to remove debris that may collect from normal loading. If spots begin to appear on the stainless steel, make sure the rinse agent is full and functioning properly.

## Filters

The filter system consists of a coarse filter, a flat fine filter and a micro filter. The filters keep large foreign objects in the rinsing water away from the pump. Foreign objects may occasionally block the filters.

Check the filters for residue by:

- Unscrew the filter cylinder as illustrated in **Figure 8-9** and take out the filter system.
- Remove any residue and clean filters under running water.
- Reinstall filter system in reverse sequence and ensure that the arrow marks are facing each other after locking it into place.

## Spray Arms

Check spray arms for grease and limescale deposits.

If you find such deposits:

- Fill detergent dispenser with detergent and start the appliance without utensils in the cycle with the highest rinsing temperature (see wash cycle information table).
- Clean the appliance with detergents/ appliance cleaners which are particularly suitable for use with dishwashers.
- Unscrew the spray arms and inspect as shown in **Figure 10**.

## Waste water pump

Large food remnants in the rinsing water not retained by the filters may block the waste water pump. The rinsing water does not get pumped out and covers the filters.

In this case:

- Disconnect the appliance from the power supply.
- Remove the filters.
- Scoop out standing water - use a sponge if necessary.
- Using a spoon, pry off the pump cover (see **Figure 11-12**) until it clicks, then grip the cover and pull upward until it resists and then pull forward.
- Check inner compartment and remove any foreign objects.
- Place cover in the original position, press down and engage.
- Reinstall filters.

Figure 8

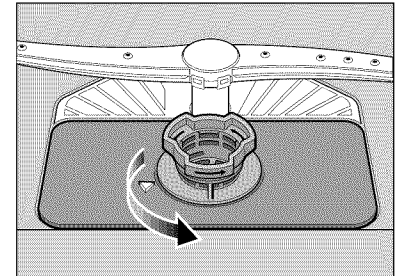


Figure 9

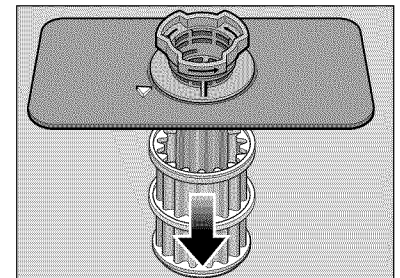


Figure 10

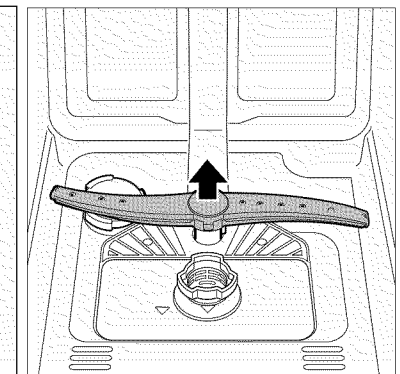
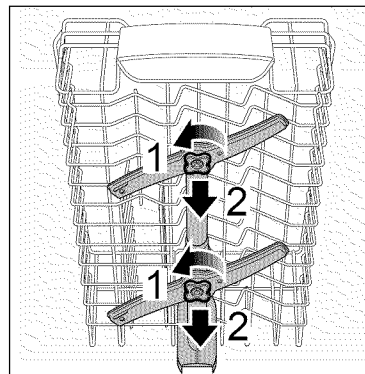


Figure 11

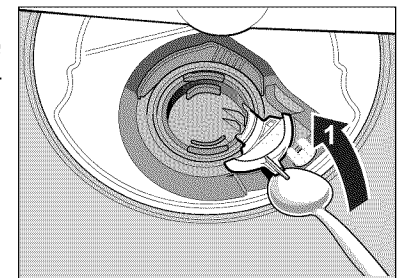
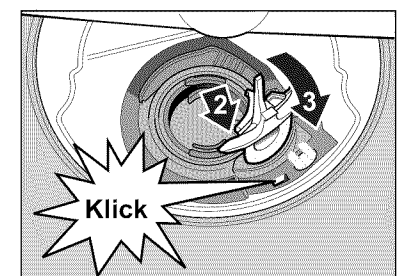


Figure 12



# Self Help

Dishwashers may occasionally exhibit problems that are unrelated to a malfunction of the dishwasher itself. The following information may help you with a dishwasher problem without involving a repair professional.

Problem	Cause	Action
Dishwasher does not start	<ol style="list-style-type: none"> <li>1. Door may not be properly latched</li> <li>2. Unit may not be turned on</li> <li>3. Unit not reset or previous cycle not completed</li> <li>4. Delay start engaged</li> <li>5. Interruption of electrical power supply to dishwasher or blown fuse</li> <li>6. The door may have been closed without first selecting a cycle</li> <li>7. Water supply may not be turned on</li> </ol>	<ol style="list-style-type: none"> <li>1. Shut the door completely</li> <li>2. Press the main power switch to turn unit on</li> <li>3. To reset, refer to "Operating the Dishwasher" (page 9) in this manual</li> <li>4. To reset, refer to "Delay Start" section (page 10) in this manual</li> <li>5. Check circuit breaker</li> <li>6. Select a cycle, press start and close the door</li> <li>7. Check and turn on water supply</li> </ol>
Dishwasher beeping (end of cycle signal)	<ol style="list-style-type: none"> <li>1. Default factory settings alert the customer that the cycle is complete by beeping (top controls only). This feature can be deactivated if so desired</li> </ol>	<ol style="list-style-type: none"> <li>1. To adjust the volume or deactivate, refer to the "Cycle Completion Signal" section (page 10) in this manual.</li> </ol>
Display does not illuminate or console lights are not on	<ol style="list-style-type: none"> <li>1. A fuse may have been blown or circuit breaker tripped</li> <li>2. Door not closed or latched</li> </ol> <p>Note: For models with controls on top of the door, the display only illuminates when the door is opened and controls are visible</p>	<ol style="list-style-type: none"> <li>1. Check the fuse or circuit breaker box and replace the fuse or reset the breaker if necessary</li> <li>2. Ensure door is properly latched and completely closed</li> </ol>
Dishwasher seems to run a long time	<ol style="list-style-type: none"> <li>1. Incoming water is not warm enough</li> <li>2. Cycle time can vary due to soil and water conditions</li> <li>3. Rinse aid dispenser is empty</li> <li>4. Dishwasher connected to cold water supply</li> </ol> <p>Note: Refer to "Wash Cycle Information" section (page 9) in this manual for typical cycle lengths</p>	<ol style="list-style-type: none"> <li>1. Before starting a cycle, run hot water faucet at the sink closest to the dishwasher</li> <li>2. Sensors in the dishwasher automatically increase the cycle time to ensure a good wash when heavy soil is detected</li> <li>3. Add rinse aid (page 6)</li> <li>4. Verify dishwasher is connected to hot water supply plumbing</li> </ol>
Dishes are not getting clean enough	<ol style="list-style-type: none"> <li>1. Spray arm movement obstructed</li> <li>2. Spray arm nozzles clogged</li> <li>3. Improper use of detergents</li> <li>4. Filters could be clogged</li> <li>5. Dishes are nested or loaded too close together</li> <li>6. Selected wash cycle is not suitable for food soil conditions</li> </ol>	<ol style="list-style-type: none"> <li>1. Ensure that spray arm movement is not blocked by hand rotating spray arms before starting cycle</li> <li>2. Remove the spray arms and clean according to the "Care and Maintenance" section (page 11) of the manual</li> <li>3. Increase or decrease detergent depending on the water hardness (refer to Table 1)</li> <li>4. Clean the filters according to the "Care and Maintenance" section (page 11) of the manual</li> <li>5. Rearrange load such that water spray can reach all items in the dishwasher - see "Loading the Dishwasher" section (page 7) of the manual</li> <li>6. Refer to "Wash Cycle Information" section (page 9) of the manual</li> </ol>
Dishes are not getting dry enough	<ol style="list-style-type: none"> <li>1. Rinse aid dispenser is empty</li> <li>2. Improper loading of dishes</li> <li>3. Selected cycle does not include drying</li> </ol> <p>Note: Plastic or Teflon do not typically dry as well as other items due to their inherent properties</p>	<ol style="list-style-type: none"> <li>1. Add rinse aid - the use of rinse aid improves drying</li> <li>2. Rearrange load to ensure items are not nesting (see "Loading the Dishwasher" section on page 7 of the manual)</li> <li>3. Rinse and Hold setting does not include drying</li> </ol> <p>Note: Sanitize option and Intensive Drying feature also improve drying performance.</p>

<b>Problem</b>	<b>Cause</b>	<b>Action</b>
Odor	<ol style="list-style-type: none"> <li>1. Food debris is present at the bottom of the dishwasher</li> <li>2. Food particles are present near the door seal</li> <li>3. Dishes left in unit too long before running a cycle</li> <li>4. Residual water is present at the bottom of the dishwasher</li> <li>5. Drain hose is obstructed</li> </ol>	<ol style="list-style-type: none"> <li>1. Remove the filters and clean according to the “Care and Maintenance” section (page 11) of the manual</li> <li>2. Refer to “Care and Maintenance” section (page 11) of the manual</li> <li>3. Run a Rinse cycle if you do not intend to immediately wash the dishes</li> <li>4. Ensure the unit has completely drained from the last cycle</li> <li>5. Remove any obstructions from the drain hose by calling qualified personnel.</li> </ol> <p>Note: If odor still persists, run the Normal cycle until it flushes and interrupt the cycle and place an 8oz. cup of distilled white vinegar solution on the top rack and then finish the cycle.</p>
Dishwasher not filling with water	<ol style="list-style-type: none"> <li>1. Restriction in the water supply system</li> <li>2. Previous wash cycle was not completed</li> <li>3. Delay start is active</li> </ol>	<ol style="list-style-type: none"> <li>1. Ensure that the water supply valve (typically located under kitchen sink) is open and check that the water supply line has no kinks or clogs</li> <li>2. Refer to the “Operating the Dishwasher” section (page 9) of the manual.</li> <li>3. Cancel the delay start or wait until delay start time completes</li> </ol>
Water leaks	<ol style="list-style-type: none"> <li>1. Suds</li> <li>2. Door seal could be pulled away from track</li> <li>3. Condensation vent is blocked</li> <li>4. Improper installation</li> </ol>	<ol style="list-style-type: none"> <li>1. Wrong type of detergent results in suds and leaks - use only dishwasher detergents. If suds still persist, add one tablespoon of vegetable oil at the bottom of the dishwasher and run the desired cycle.</li> <li>2. Ensure the door seal is in the track</li> <li>3. Ensure that condensation vent is not blocked</li> <li>4. Have proper installation verified by qualified personnel (water supply, drain system, leveling, plumbing)</li> </ol>
Tub stains	<ol style="list-style-type: none"> <li>1. Stains on the dishwasher interior are due to water hardness</li> <li>2. Silverware in contact with tub</li> </ol>	<ol style="list-style-type: none"> <li>1. Concentrated lemon juice can reduce the build up of hard water stains. Run a Normal cycle until it flushes and interrupt the cycle and then place an 8oz. cup of the concentrated lemon solution on the top rack and finish the cycle. This can be done periodically to avoid build up.</li> <li>2. Ensure that silverware does not make contact with the tub while running a cycle.</li> </ol>
Streaks on glassware or residue on the dishes	<ol style="list-style-type: none"> <li>1. Incorrect rinse agent setting</li> </ol>	<ol style="list-style-type: none"> <li>1. Depending on the hardness of water, adjust the rinse agent dispenser. Refer to “Dishwasher Setup” (page 5) section in the manual</li> </ol>
Fascia panel discolored or marked	<ol style="list-style-type: none"> <li>1. Abrasive cleaner used</li> </ol>	<ol style="list-style-type: none"> <li>1. Use mild detergents with soft damp cloth</li> </ol>
Noise during wash cycle	<ol style="list-style-type: none"> <li>1. Dishes may not be arranged properly</li> </ol>	<ol style="list-style-type: none"> <li>1. Water circulation sound is normal, but if you suspect items are banging into each other or into the spray arms, refer to the “Loading the Dishwasher” section (page 7) of the manual for optimal arrangement.</li> </ol>
Detergent dispenser cover will not shut	<ol style="list-style-type: none"> <li>1. Improper operation of detergent cover</li> <li>2. Previous cycle has not been finished or rest or cycle or interrupted</li> </ol>	<ol style="list-style-type: none"> <li>1. Refer to “Detergent” section (page 6) of the manual for instructions on opening and closing the dispenser</li> <li>2. Refer to the “Operating the Dishwasher” section (page 9) of the manual</li> </ol>
Unable to select desired cycle	<ol style="list-style-type: none"> <li>1. Previous cycle has not finished</li> </ol>	<ol style="list-style-type: none"> <li>1. Refer to the “Operating the Dishwasher” section (page 9) of the manual</li> </ol>

# Customer Service

Your Bosch® dishwasher requires no special care other than that described in the Care and Maintenance section of this manual. If you are having a problem with your dishwasher, before calling for service please refer to the Self Help section of the manual. If service is necessary, contact your dealer or installer or an authorized service center. Do not attempt to repair the appliance yourself. Any work performed by unauthorized personnel may void the warranty.

If you are having a problem with your Bosch® dishwasher and are not pleased with the service you have received, please take the following steps until the problem is corrected to your satisfaction:

- 1 Call us at 1-800-944-2904
- 2 Contact Customer Service from our web site:  
*www.bosch-home.com/us or www.bosch-appliances.ca*
- 3 Contact your installer or the Bosch® Authorized Service Contractor in your area.
- 4 Write us:  
*<http://www.bosch-home.com/us/customer-support/contact-us.html>*

Please be sure to include your model information as well as an explanation of the problem and the date it started.

You will find the model and serial number information on the label located on the edge of the dishwasher door.

Please make a copy of your invoice and keep it with this manual. The customer may be asked to show proof of purchase in order to verify eligibility for warranty service.

# Warranty Information

**What this Warranty Covers & Who it Applies to:** The limited warranty provided by BSH Home Appliances Corporation (“BSH”) in this Statement of Limited Product Warranty applies only to Bosch® dishwashers (“Product”) sold to you, the first using purchaser, provided that the Product was purchased: (1) for your normal, household (non-commercial) use, and has in fact at all times only been used for normal household purposes; (2) new at retail (not a display, “as is”, or previously returned model), and not for resale, or commercial use; and (3) within the United States or Canada, and has at all times remained within the country of original purchase. The warranties stated herein apply only to the first purchaser of the Product and are not transferable.

• Please make sure to return your registration card; while not necessary to effectuate warranty coverage, it is the best way for BSH to notify you in the unlikely event of a safety notice or product recall.

**How Long the Warranty Lasts:** BSH warrants that the Product is free from defects in materials and workmanship for a period of three hundred sixty five (365) days from the date of purchase. The foregoing timeline begins to run upon the date of purchase, and shall not be stalled, tolled, extended, or suspended, for any reason whatsoever. Labor and shipping costs are included in this basic coverage.

**Extended Limited Warranty:** BSH also provides these additional limited warranties:

• 5 Year Limited Warranty on Electronics: BSH will repair or replace any BSH microprocessor or printed circuit board if it proves to be defective in materials or workmanship (excludes labor charges).

• 5 Year Limited Warranty on Dish Racks: BSH will replace the upper or lower dish rack (excluding rack components), if the rack proves defective in materials or workmanship (excludes labor charges).

• Lifetime Warranty against Stainless Steel Rust Through: BSH will replace your dishwasher with the same model or a current model that is substantially equivalent or better in functionality, if the inner liner should rust through (excludes labor charges).

• BSH will replace the stainless steel door if the door should rust through (excludes labor charges).

The foregoing timeline begins to run upon the date of purchase, and shall not be stalled, tolled, extended, or suspended, for any reason whatsoever.

**Repair/Replace as Your Exclusive Remedy:** During this warranty period, BSH or one of its authorized service providers will repair your Product without charge to you (subject to certain limitations stated herein) if your Product proves to have been manufactured with a defect in materials or workmanship. If reasonable attempts to repair the Product have been made without success, then BSH will replace your Product (upgraded models may be available to you, in the sole discretion of BSH, for an additional charge). All removed parts and components shall become the property of BSH at its sole option. All replaced and/or repaired parts shall assume the identity of the original part for purposes of this warranty and this warranty shall not be extended with respect to such parts. BSH’s sole liability and responsibility hereunder is to repair manufacturer-defective Product only, using a BSH authorized service provider during normal business hours. For safety and property damage concerns, BSH highly recommends that you do not attempt to repair the Product yourself, or use an unauthorized servicer; BSH will have no responsibility or liability for repairs or work performed by a non-authorized servicer. If you choose to have someone other than an authorized service provider work on your Product, THIS WARRANTY WILL AUTOMATICALLY BECOME NULL AND VOID. Authorized service providers are those persons or companies that have been specially trained on BSH products, and who possess, in the opinion of BSH, a superior reputation for customer service and technical ability (note that they are independent entities and are not agents, partners, affiliates or representatives of BSH). Notwithstanding the foregoing, Bosch® will not incur any liability, or have responsibility, for the Product if it is located in a remote area (more than 100 miles from an authorized service provider) or is reasonably inaccessible, hazardous, threatening, or treacherous locale, surroundings, or environment; in any such event, if you request, BSH would still pay for labor and parts and ship the parts to the nearest authorized service provider, but you would still be fully liable and responsible for any travel time or other special charges by the service company, assuming they agree to make the service call.

**Out of Warranty Product:** BSH is under no obligation, at law or otherwise, to provide you with any concessions, including repairs, pro-rates, or Product replacement, once this warranty has expired.

**Warranty Exclusions:** The warranty coverage described herein excludes all defects or damage that are not the direct fault of BSH, including without limitation, one or more of the following: (1) use of the Product in anything other than its normal, customary and intended manner (including without limitation, any form of commercial use, use or storage of an indoor product outdoors, use of the Product in conjunction with air or water-going vessels); (2) any party’s willful misconduct, negligence, misuse, abuse, accidents, neglect, improper operation, failure to maintain, improper or negligent installation, tampering, failure to follow operating instructions, mishandling, unauthorized service (including self-performed “fixing” or exploration of the appliance’s internal workings); (3) adjustment, alteration or modification of any kind; (4) a failure to comply with any applicable state, local, city, or county electrical, plumbing and/or building codes, regulations, or laws, including failure to install the product in strict conformity with local fire and building codes and regulations; (5) ordinary wear and tear, spills of food, liquid, grease accumulations, or other substances that accumulate on, in, or around the Product; and (6) any external, elemental and/or environmental forces and factors, including without limitation, rain, wind, sand, floods, fires, mud slides, freezing temperatures, excessive moisture or extended exposure to humidity, lightning, power surges, structural failures surrounding the appliance, and acts of God. In no event shall BSH have any liability or responsibility whatsoever for damage to surrounding property, including cabinetry, floors, ceilings, and other structures or objects around the Product. Also excluded from this warranty are scratches, nicks, minor dents, and cosmetic damages on external surfaces and exposed parts; Products on which the serial numbers have been altered, defaced, or removed; service visits to teach you how to use the Product, or visits where there is nothing wrong with the Product; correction of installation problems (you are solely responsible for any structure and setting for the Product, including all electrical, plumbing or other connecting facilities, for proper foundation/flooring, and for any alterations including without limitation cabinetry, walls, floors, shelving, etc.); and resetting of breakers or fuses.

TO THE EXTENT ALLOWED BY LAW, THIS WARRANTY SETS OUT YOUR EXCLUSIVE REMEDIES WITH RESPECT TO PRODUCT, WHETHER THE CLAIM ARISES IN CONTRACT OR TORT (INCLUDING STRICT LIABILITY, OR NEGLIGENCE) OR OTHERWISE. THIS WARRANTY IS IN LIEU OF ALL OTHER WARRANTIES, WHETHER EXPRESS OR IMPLIED. ANY WARRANTY IMPLIED BY LAW, WHETHER FOR MERCHANTABILITY OR FITNESS FOR A PARTICULAR PURPOSE, OR OTHERWISE, SHALL BE EFFECTIVE ONLY FOR THE PERIOD THAT THIS EXPRESS LIMITED WARRANTY IS EFFECTIVE. IN NO EVENT WILL THE MANUFACTURER BE LIABLE FOR CONSEQUENTIAL, SPECIAL, INCIDENTAL, INDIRECT, “BUSINESS LOSS”, AND/OR PUNITIVE DAMAGES, LOSSES, OR EXPENSES, INCLUDING WITHOUT LIMITATION TIME AWAY FROM WORK, HOTELS AND/OR RESTAURANT MEALS, REMODELLING EXPENSES IN EXCESS OF DIRECT DAMAGES WHICH ARE DEFINITELY CAUSED EXCLUSIVELY BY BSH, OR OTHERWISE. SOME STATES DO NOT ALLOW THE EXCLUSION OR LIMITATION OF INCIDENTAL OR CONSEQUENTIAL DAMAGES, AND SOME STATES DO NOT ALLOW LIMITATIONS ON HOW LONG AN IMPLIED WARRANTY LASTS, SO THE ABOVE LIMITATIONS MAY NOT APPLY TO YOU. THIS WARRANTY GIVES YOU SPECIFIC LEGAL RIGHTS, AND YOU MAY ALSO HAVE OTHER RIGHTS WHICH VARY FROM STATE TO STATE. No attempt to alter, modify or amend this warranty shall be effective unless authorized in writing by an officer of BSH.

**How to Obtain Warranty Service:** TO OBTAIN WARRANTY SERVICE FOR YOUR PRODUCT, YOU SHOULD CONTACT THE NEAREST BSH AUTHORIZED SERVICE CENTER, OR CALL 1-800-944-2904.



Félicitations et merci!

Bienvenue dans la grande famille Bosch® et félicitations pour votre achat d'un tout nouveau lave-vaisselle Bosch® ! Nos ingénieurs allemands travaillent sans relâche pour concevoir des appareils pratiquement silencieux d'une qualité exceptionnelle qui utilisent efficacement les ressources nécessaires. Nous savons que vous serez satisfait(e) de votre achat.

Pour des réponses rapides à des questions fréquentes, veuillez consulter le Guide de référence rapide compris avec ce manuel.

Pour d'autres appareils Bosch® de qualité, visitez notre site Web à l'adresse :

*www.bosch-home.com/us (USA)*

or

*www.bosch-appliances.ca (Canada)*

Pendant que vous visitez notre site, n'oubliez pas d'enregistrer votre nouveau lave-vaisselle en cliquant sur le lien du Soutien à la clientèle ou en remplissant la carte d'enregistrement du produit incluse avec votre nouvelle unité.

Si vous avez des questions ou des commentaires, veuillez nous contacter au :

*1-800-944-2904*

ou écrivez-vous à :

*http://www.bosch-home.com/us/customer-support/contact-us.html*

## **Table des matières**

<b>Consignes de sécurité importantes.....</b>	<b>2-3</b>
<b>Composants du lave-vaisselle.....</b>	<b>3-4</b>
<b>Le programme d'installation.....</b>	<b>5-6</b>
<b>Matériaux de lave-vaisselle.....</b>	<b>7</b>
<b>Chargement du lave-vaisselle.....</b>	<b>7</b>
<b>Caractéristiques des paniers.....</b>	<b>8</b>
<b>Programmes et options du lave-vaisselle.....</b>	<b>8</b>
<b>Informations sur les programmes de lavage.....</b>	<b>9</b>
<b>Fonctionnement du lave-vaisselle.....</b>	<b>9-10</b>
<b>Nettoyage et entretien.....</b>	<b>11</b>
<b>Aide automatique.....</b>	<b>12-13</b>
<b>Service après-vente.....</b>	<b>14</b>
<b>Informations concernant la garantie.....</b>	<b>15</b>

# Consignes de sécurité importantes: Veuillez lire et conserver ces informations



## AVERTISSEMENT

Une mauvaise utilisation du lave-vaisselle peut entraîner des blessures graves ou la mort. Ne pas utiliser le lave-vaisselle d'une manière qui n'est pas traitée dans le présent guide ou à des fins autres que celles qui sont expliquées dans les pages qui suivent.



Des dommages au produit et/ou blessures graves peuvent survenir par suite de l'emploi de techniciens en entretien et en réparation non qualifiés ou de pièces de rechanges qui ne sont pas d'origine. Toutes les réparations doivent être effectuées par un technicien en entretien et en réparation qualifié qui utilise des pièces de rechange du fabricant de l'équipement d'origine.



Un choc électrique ou un incendie peut résulter de l'installation inexacte de l'alimentation électrique du lave-vaisselle traité dans le présent guide ou d'une mauvaise mise à la terre du lave-vaisselle. Ne pas utiliser le lave-vaisselle traité dans le présent guide à moins d'être certain que l'alimentation électrique a été correctement installée ou que le lave-vaisselle a été correctement mis à la terre.



Ne jamais nettoyer votre lave-vaisselle avec des produits chimiques puissants. Certains produits contenant des chlorures peuvent endommager votre lave-vaisselle et poser des risques pour la santé !

## AVIS

Ne jamais nettoyer votre lave-vaisselle avec des produits de nettoyage à la vapeur. Le fabricant n'assume aucune responsabilité pour d'éventuels dommages ou conséquences.



Il est vivement recommandé à l'utilisateur final de se familiariser avec les procédures de fermeture de l'alimentation d'eau entrante et de coupure de l'alimentation électrique entrante. Reportez-vous aux instructions d'installation ou communiquez avec votre installateur pour de plus amples renseignements.



NSF / ANSI 184 lave-vaisselle résidentiels certifiés ne sont pas destinés aux établissements alimentaires autorisés.

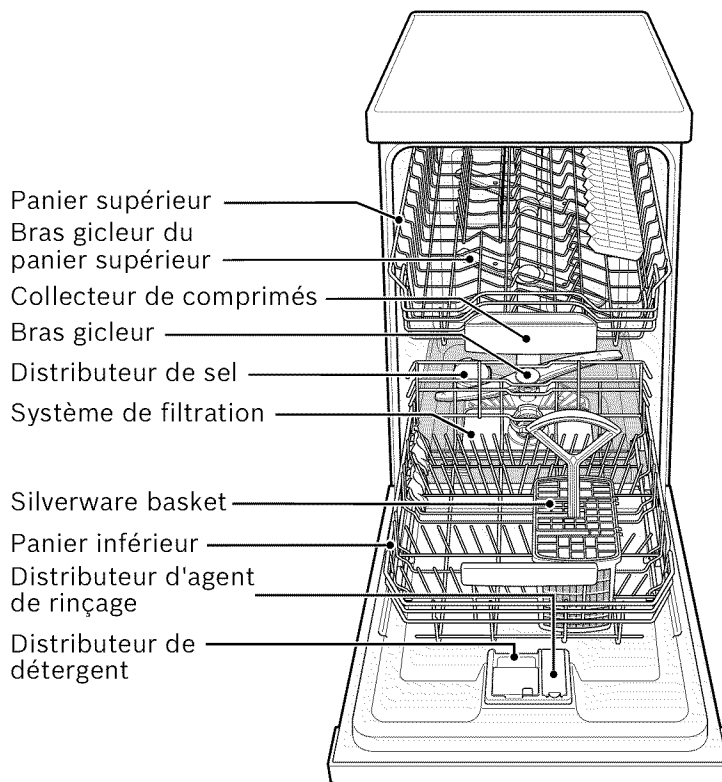


## **AVERTISSEMENT : Pour réduire le risque d'incendie, de choc électrique ou de blessure grave, respectez les consignes suivantes :**

- 1 Ce lave-vaisselle est fourni avec les instructions d'installation et le présent guide d'utilisation et d'entretien. Lire et comprendre toutes les instructions avant de faire fonctionner le lave-vaisselle.
- 2 Cet appareil doit être mis à la terre sur une installation de fils à demeure en métal ou un conducteur de protection doit être relié aux fils conducteurs et raccordé à la borne ou au fil de mise à la terre du lave-vaisselle. Consulter les instructions d'installation fournies avec ce lave-vaisselle pour de plus amples renseignements sur les conditions requises pour l'alimentation en électricité.
- 3 Utiliser uniquement ce lave-vaisselle conformément à l'usage auquel il est destiné, à savoir pour laver la vaisselle et la batterie de cuisine de ménage.
- 4 Utiliser uniquement des détergents ou des produits de rinçage recommandés pour l'usage en lave-vaisselle et les conserver hors de la portée des enfants.
- 5 Lors du chargement des articles dans le lave-vaisselle :
  - Disposer les articles coupants de sorte à ce qu'ils ne puissent pas endommager le joint de porte.
  - Placer les couteaux et autre ustensiles tranchants le MANCHE VERS LE HAUT pour réduire le risque de blessure par coupure.
  - Ne pas laver d'articles en plastique à moins qu'ils ne soient identifiés par la mention « lavable au lave-vaisselle » ou l'équivalent.
  - Ne pas faire fonctionner votre lave-vaisselle à moins que tous les panneaux protecteurs ne soient en place.
  - Ne pas altérer ni neutraliser les commandes et dispositifs de verrouillage.

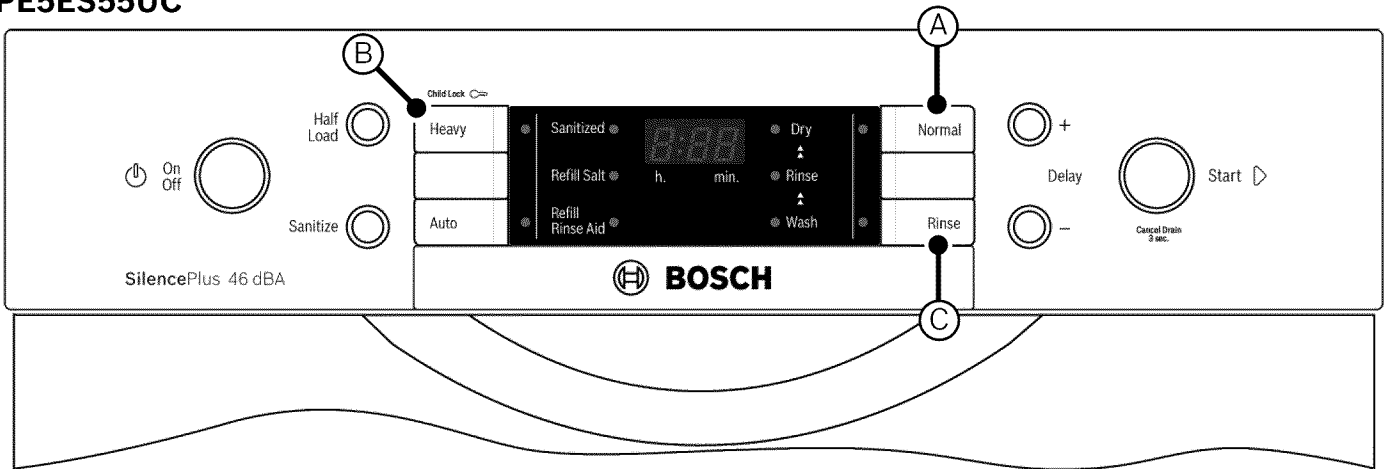
- 6 Ne pas utiliser abusivement, s'asseoir ou se tenir debout sur la porte ou les paniers à vaisselle du lave-vaisselle.
- 7 Pour réduire le risque de blessures, empêcher les enfants de jouer à l'intérieur ou sur le lave-vaisselle.
- 8 Lorsque les enfants sont en âge de faire fonctionner l'appareil, les parents ou tuteurs légaux ont la responsabilité légale de s'assurer qu'ils ont été initiés aux pratiques sécuritaires par des personnes qualifiées.
- 9 Dans certaines conditions, de l'hydrogène peut se former à l'intérieur d'un système de production d'eau chaude qui n'a pas été utilisé pendant deux semaines ou plus. L'hydrogène est un gaz explosif. Avant d'utiliser un lave-vaisselle qui est relié à un système de production d'eau chaude inactif depuis deux semaines ou plus, ouvrir tous les robinets d'eau chaude et laisser l'eau couler pendant quelques minutes. Ceci aura pour effet de libérer l'hydrogène accumulé à l'intérieur du système. Ne pas fumer et ne pas utiliser de flamme nue pendant cette opération.
- 10 Enlever la porte du compartiment de lavage d'un ancien lave-vaisselle que vous devez déposer pour réparation ou mise au rebut.
- 11 Afin d'éviter d'endommager le plancher et la formation éventuelle de moisissures, ne laissez aucune trace d'eau sur le sol adjacent au lave-vaisselle ou sous ce dernier.
- 12 Protégez votre lave-vaisselle des éléments. Protégez-le contre le gel afin d'éviter les dommages éventuels au robinet de remplissage. Les dommages causés par le gel ne sont pas couverts par la garantie.
- 13 Modèles avec cordon d'alimentation :
  - Cet appareil doit être mis à la terre. En cas de fonctionnement défectueux ou de panne, la mise à la terre réduit les risques de choc électrique en fournissant un trajet de moindre résistance au courant. Cet appareil est équipé d'un cordon d'alimentation avec un conducteur de mise à la terre d'équipement et une fiche de mise à la terre. Cette fiche doit être branchée sur une prise appropriée, installée et mise à la terre conformément aux codes et règlements locaux.
  - Un mauvais raccordement du conducteur de mise à la terre d'équipement peut entraîner un risque de choc électrique. En cas de doute quant à la mise à la terre adéquate de l'appareil, communiquez avec un électricien ou un technicien en réparation qualifié. Ne pas modifier la fiche fournie avec l'appareil. Si elle ne rentre pas dans la prise, faites installer une prise adéquate par un électricien qualifié.

## Composants du lave-vaisselle

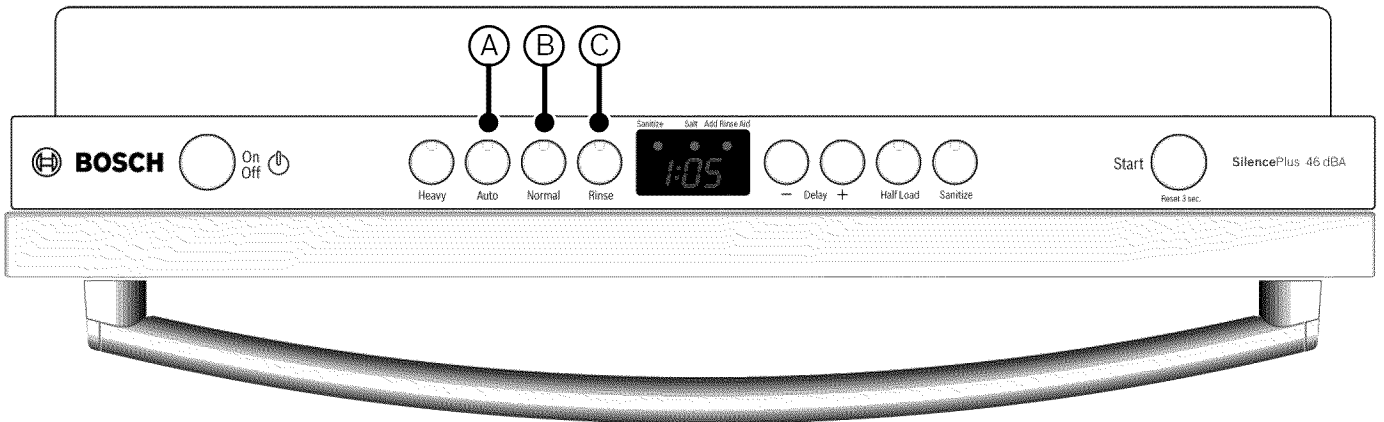


Programmes de lavage					Caractéristiques supplémentaires					
Modèle	Heavy	Auto	Normal	Rinse	Adjustable Top Rack	Delay Start	Flip Tines	Half Load Option	InfoLight	Sanitize Option
SPE5ES55UC	X	X	X	X	3-step RackMatic®	X	X	X		X
SPX5ES55UC	X	X	X	X	3-step RackMatic®	X	X	X	X	X
SPV5ES53UC	X	X	X	X	3-step RackMatic®	X	X	X	X	X

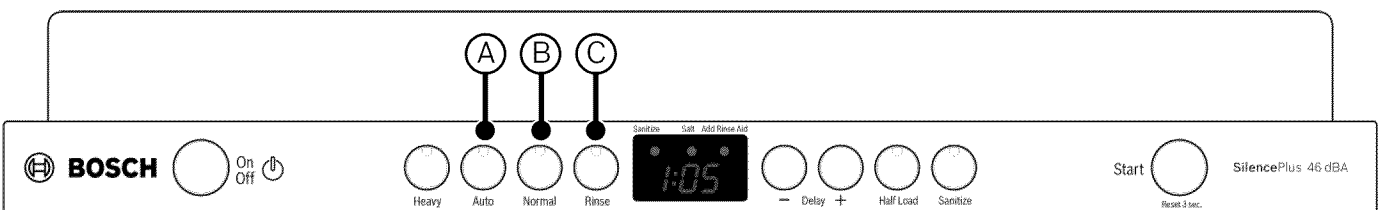
### SPE5ES55UC



### SPX5ES55UC



### SPV5ES53UC



# Le programme d'installation

## Système adoucisseur d'eau

Le lave-vaisselle a besoin d'eau douce pour obtenir de bons résultats de lavage et est équipé d'un adoucisseur d'eau interne. Toutefois, si votre habitation est équipée d'un système adoucisseur d'eau, vous n'aurez pas besoin d'utiliser le système intégré au lave-vaisselle.

La quantité de sel versée peut être ajustée entre H:00 et H:07. Le sel n'est pas requis à H:00 (ceci est le paramètre usine par défaut - voir **Tableau 1**).

- 1 Ouvrir la porte et allumer l'appareil en appuyant sur **[ON/OFF]** (Activer/Désactiver).
- 2 Maintenir la touche **A** enfoncée et appuyer et maintenir la touche **[START]** (Démarrer) enfoncée jusqu'à ce que l'affichage indique **H:00**.
- 3 Relâcher les deux touches.
- 4 Appuyer sur **C** pour sélectionner le paramètre souhaité.
- 5 Sauvegarder le paramètre sélectionné en appuyant sur **[START]** (Démarrer) et fermer la porte.

Tableau 1

Tap water hardness ppm CaCO <sub>3</sub> /l	Setting of internal water softener	Fill water softener with salt?
0 - 110	H:00	no
120 - 140	H:01	yes
150 - 180	H:02	yes
190 - 210	H:03	yes
220 - 290	H:04	yes
300 - 370	H:05	yes
380 - 540	H:06	yes
550 - 890	H:07	yes

## Utilisation d'une bandelette pour tester la dureté de l'eau

Kurz eintauchen (1 sec), leicht abschüttein und nach 1 min ablesen.

4 grün/green/vert  
1 rot/red/rouge  
2 rot/red/rouge  
3 rot/red/rouge  
4 rot/red/rouge

Dip briefly (1 sec), shake off excess water and compare after 1 min.

□ □ □ □  
■ □ □ □  
■ ■ □ □  
■ ■ ■ □  
■ ■ ■ ■

Plongez brièvement (1 sec), égouttez l'excès d'eau et comparez après 1 min.

<3°dH/ <3.75°e/ <5.4°F  
>4°dH/ >5°e/ >7.2°F  
>8.4°dH/ >10.5°e/ >15.1°F  
>14°dH/ >17.5°e/ >25.2°F  
>21°dH/ >26.25°e/ >37.8°F

**AQUADUR®**

Teststäbchen zur Bestimmung der Wasserhärte

Test stick for determination of water hardness

Bandelette pour déterminer la dureté de l'eau

Plongez brièvement (pendant 1 seconde) la bandelette dans l'eau du robinet. Égouttez l'excédent d'eau et comparez au bout d'environ 1 minute.	Au bout d'une (1) minute, la décoloration rouge visible sur la bandelette vous indiquera le paramètre correct.	Alignement de l'appareil adoucisseur	Verser le sel dans le récipient à sel
□ □ □ □	0	H:00	no
■ □ □ □	1	H:00	no
■ ■ □ □	2	H:02	yes
■ ■ ■ □	3	H:04	yes
■ ■ ■ ■	4	H:06	yes

## Utilisation du sel

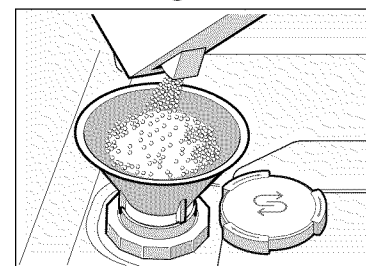
Toujours remplir de sel immédiatement avant de mettre l'appareil en circuit. Ceci permet de dissoudre le surplus de solution de sel et de ne pas corroder le réservoir de rinçage. Voir **Figure 1**.

- 1 Remplir le réservoir avec de l'eau (seulement requis au moment de la première mise en circuit de l'appareil).
- 2 Ajouter du sel. L'eau est déplacée et s'écoule.
- 3 Remplir le réservoir de sel dès que ou que le voyant DEL Sel s'allume.

**Avis:** Ne remplissez jamais le réservoir à sel avec du détergent. Il va détruire le système d'adoucissement d'eau. Pour éviter la corrosion, remplir avec du sel et commencer immédiatement un cycle.

*Note: Remplir le réservoir de sel dès que le témoin de remplissage du sel ou que le voyant DEL Sel s'allume.*

Figure 1



## Détergent

Utiliser uniquement un détergent spécialement conçu pour les lave-vaisselle. Pour de meilleurs résultats, utiliser un détergent pour lave-vaisselle en poudre frais. Pour éviter d'endommager le lave-vaisselle, ne pas utiliser de détergent pour le lavage de la vaisselle à la main.

Ce lave-vaisselle utilise moins d'eau. Par conséquent, moins de détergent est nécessaire. Avec de l'eau douce, 1 c. à soupe (15 ml) de détergent nettoie la plupart des charges. Le godet du distributeur de détergent comporte des lignes graduées pour mesurer le détergent comme suit : 1 c. à soupe (15 ml) et 1 3/4 c. à soupe (25 ml). 3 c. à soupe (45 ml) de détergent rempliront complètement le godet du distributeur de détergent. Voir **Figure 2**.

*Remarque : si vous ne connaissez pas le degré de dureté de l'eau de votre réseau d'alimentation, utilisez 15 ml de détergent. Augmentez la quantité de détergent au besoin pour atteindre la quantité minimale nécessaire pour laver correctement votre vaisselle.*

## Fermeture

- Placez le doigt comme indiqué à la **Figure 3**.
- Faites coulisser le couvercle en position fermée et appuyez fermement jusqu'à ce que vous entendiez un déclic.

## Ouverture

- Pour ouvrir le couvercle, appuyez sur le bouton comme illustré à la **Figure 4**.
- Le couvercle s'ouvrira.

**Tableau 2 - Quantité de détergent recommandée**

Programme de lavage	Eau dure/ Saletés importantes	Eau moyenne/ Saletés moyennes	Eau douce/ Saletés légères
Heavy	45ml 3 tbsp	45ml 3 tbsp	25-45ml 1.75-3 tbsp
Auto	25-45ml 1.75-3 tbsp	25ml 1.75 tbsp	15-25ml 1-1.75 tbsp
Normal	25-45ml 1.75-3 tbsp	25ml 1.75 tbsp	15-25ml 1-1.75 tbsp
Rinse	None	None	None

## Agent de rinçage

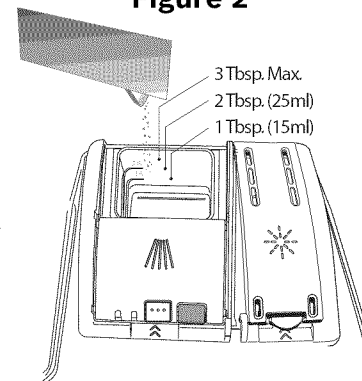
Pour obtenir un séchage adéquat, toujours utiliser un agent de rinçage liquide, même si votre détergent contient déjà un agent de rinçage ou un adjuvant de séchage.

*Remarque : le lave-vaisselle indique si le niveau de produit de rinçage est bas soit au moyen d'un voyant DEL qui s'allume. Si ce témoin est allumé, vous devez remplir le distributeur d'agent de rinçage en suivant les consignes ci-dessous.*

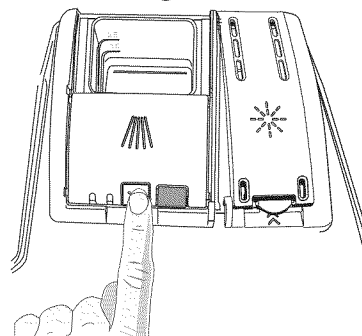
## Ajout de l'agent de rinçage

Verser le produit de rinçage liquide dans le distributeur comme indiqué jusqu'à ce que le réservoir soit plein. Essuyer tout débordement de liquide de rinçage s'écoulant du réservoir une fois plein. Voir **Figure 5**. Le voyant s'éteindra quelques instants après la fermeture de la porte du lave-vaisselle. Voir **page 9**.

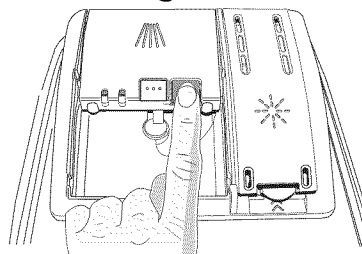
**Figure 2**



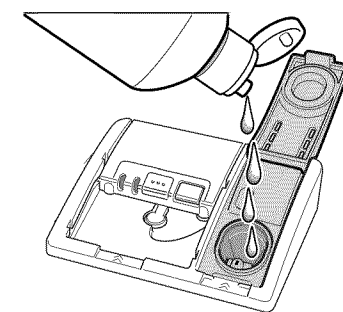
**Figure 3**



**Figure 4**



**Figure 5**



# Matériaux de la vaisselle

Remarque : avant d'utiliser votre lave-vaisselle pour la première fois, vérifier les informations figurant dans cette section. Certains articles ne sont pas lavables au lave-vaisselle et doivent être lavés à la main ; d'autres nécessitent un chargement spécial.

## Matériaux recommandés

**Aluminium** : l'aluminium anodisé coloré peut s'altérer au fil du temps. Les minéraux présents dans l'eau peuvent noircir ou tacher l'aluminium. Ceci se nettoie généralement à l'aide d'un tampon de laine d'acier savonneux.

**Porcelaine, cristal, faïence** : certains ustensiles peints à la main peuvent se décolorer, s'altérer ou se tacher. Laver ces ustensiles à la main. Placer la verrerie fragile de façon à ce qu'elle ne se renverse pas ou qu'elle n'entre pas en contact avec d'autres ustensiles pendant le déroulement du programme de lavage.

**Verrerie** : le verre laiteux risque de se décolorer ou de jaunir.

**Finis anti-adhésifs** : appliquer une légère quantité d'huile végétale sur les surfaces anti-adhésives après le séchage.

**Plastique** : s'assurer que les articles en plastique sont lavables au lave-vaisselle.

**Acier inoxydable, argent fin et métaux argentés** : charger ce type d'articles de sorte à ce qu'ils n'entrent pas en contact avec d'autres métaux.

## Non recommandé

**Acrylique** : des craquelures (petites fissures) peuvent apparaître sur l'acrylique.

**Pièces collées** : les adhésifs utilisés pour le collage des objets en plastique, bois, os, acier, cuivre, fer blanc, etc. risquent de ne pas tenir.

**Ustensiles avec manches en os** : les manches risquent de se décoller.

**Fer** : le fer se rouille. Laver à la main et sécher immédiatement.

**Articles autres que la vaisselle** : votre lave-vaisselle est conçu UNIQUEMENT pour le lavage de la vaisselle et de la batterie de cuisine de ménage standard.

**Étain, laiton, bronze** : ces matériaux auront tendance à ternir. Laver à la main et sécher immédiatement.

**Fer blanc** : le fer blanc aura tendance à se tacher. Laver à la main et sécher immédiatement.

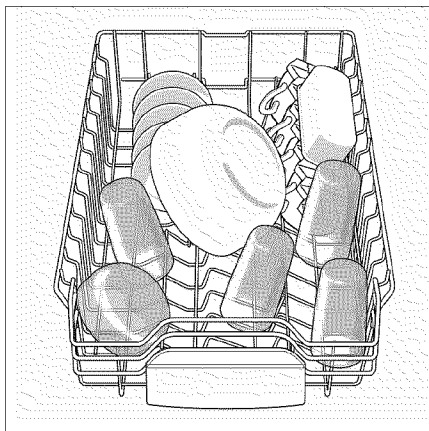
**Bois** : les bols et les ustensiles en bois et les ustensiles avec manches en bois peuvent se fissurer, se déformer et perdre leur fini.

# Chargement du lave-vaisselle

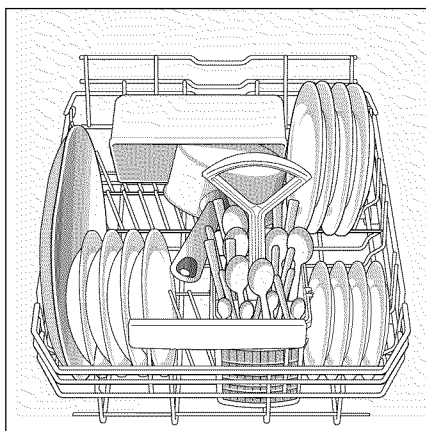
Ne pas laver au préalable les articles comportant des saletés peu adhérentes. Enlever les particules d'aliments, les os, les cure-dents et la graisse excessive. Il sera peut-être nécessaire de traiter préalablement la vaisselle comportant des saletés brûlées, collées ou farineuses. Consulter la section Matériaux de la vaisselle pour de plus amples renseignements sur l'adaptation de la vaisselle.

Charger uniquement les articles lavables au lave-vaisselle. Charger la vaisselle dans les paniers de sorte à orienter l'intérieur des bols, marmites et casseroles vers les bras gicleurs. Éviter que les articles ne s'emboîtent les uns dans les autres et éviter qu'ils ne se touchent. Séparer les articles de métal différent.

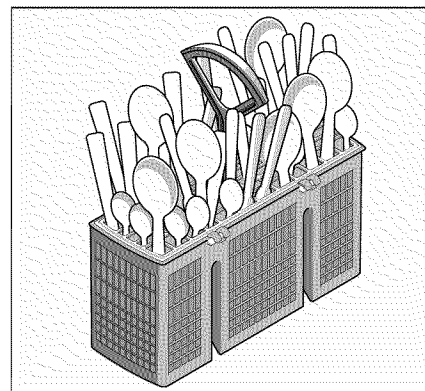
Panier supérieur



Panier inférieur



Panier à ustensiles

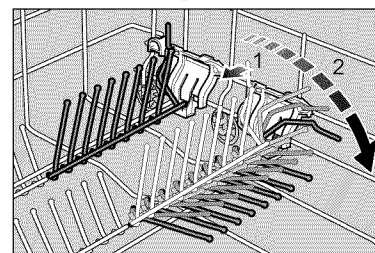


# Caractéristiques des paniers

## Picots rabattables

Les paniers comportent des picots qui peuvent être repliés en fonction des articles devant être placés dans le lave-vaisselle. Pour rabattre un picot, saisissez-le et dégagez-le de l'encoche. Poussez-le vers le bas pour le mettre dans la position voulue comme indiqué à la **Figure 6**.

Figure 6

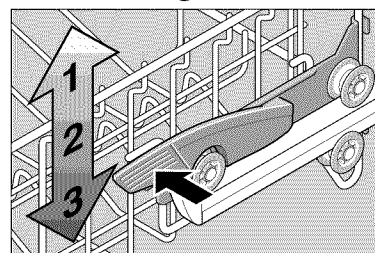


## 3-Step RackMatic®

La hauteur du panier à ustensiles supérieur peut être réglée à 3 niveaux pour créer plus d'espace dans le panier supérieur ou inférieur. Voir **Figure 7**.

- 1 Tirer le panier supérieur.
- 2 Pour abaisser le panier, pousser les leviers vers l'intérieur et le haut.
- 3 Pour lever le panier, maintenir le panier par les côtés du bord supérieur et soulever.

Figure 7



*Remarque: Avant de réinsérer le panier, s'assurer qu'il est à la même hauteur des deux côtés. Autrement, la porte ne peut être fermée et le bras gicleur supérieur ne se branchera pas sur l'alimentation en eau.*

# Programmes et options du lave-vaisselle

## Programmes de lavage

**Heavy (Lavage intense)** : donne les meilleurs résultats pour éliminer les aliments collés ou la graisse. Habituellement, on doit faire tremper cette vaisselle.

**Auto (Lavage Automatique)** : grâce à notre dispositif très complexe de détection du degré de saleté, ce programme est idéal pour les charges mixtes avec des quantités de saletés alimentaires variables. Ce programme est le plus souple et un choix excellent pour tous les jours.

**Normal (Lavage normal)** : permet de laver parfaitement une pleine charge de vaisselle normalement sale.

*Remarque : L'Étiquette du Guide d'Énergie a été établie en fonction de ce programme de détection de la saleté avec toutes les options disponibles désactivées. Conformément à la procédure d'essai d'énergie, l'appareil a été testé sans verser un agent de rinçage dans le distributeur. Une seule dose de détergent a été utilisée dans le distributeur de détergent et aucun détergent n'a été utilisé pendant la phase de pré-lavage. L'essai a été effectué avec le panier supérieur en position abaissée.*

**Rinse (Rinçage)** : vous permet de rincer la vaisselle sale d'une charge partielle et de la mettre en attente dans le lave-vaisselle jusqu'à ce que celui-ci soit plein et que vous soyez prêt à lancer le programme.

## Option des programmes de lavage

**Delay Start (Marche différée)** : L'on peut retarder la mise en marche de 1 h à 24 h.

**Half Load (Demi-charge)** : les programmes de lavage Heavy, Auto et Normal comportent une option Demi-charge qui permet de réduire la consommation d'énergie et d'eau lors du lavage d'une petite quantité de vaisselle légèrement sale qui remplit à peu près la moitié du lave-vaisselle. Pour activer cette option, sélectionner la touche Half Load (Demi-charge) en plus de l'un des trois programmes cités précédemment.

**Sanitize (Désinfection)** : La fonction Désinfecter est offerte uniquement avec les programmes de lavage Heavy, Auto et Normal. Appuyer sur la touche « Sanitize Option » (Option désinfection) pour activer les fonctions de désinfection au cours des programmes automatique et normal. Le voyant Désinfection restera allumé durant un programme de lavage intense. Les procédés techniques de désinfection peuvent également améliorer les résultats de séchage.

*Remarque : le lave-vaisselle passe en mode de lavage automatique par défaut lorsqu'il est éteint puis rallumé. Si vous avez programmé l'option de désinfection lors du programme précédent, le lave-vaisselle passera en mode de lavage automatique par défaut avec l'option de désinfection sélectionnée lorsque vous le mettez en marche.*



# Informations sur les programmes de lavage

Si la température de l'eau d'alimentation de votre résidence est supérieure à 120 °F (48,8 °C), le temps de chauffage de votre lave-vaisselle peut s'en trouver réduit et le voyant ou symbole « Désinfecté » peut ne pas s'allumer.

Tableau 3 - Informations sur les programmes de lavage

	Heavy	Auto	Normal	Rinse
durée du programme	110-125 min	105-129 min	95-119 min	9 min
durée du programme avec Half Load	110 min	95-105 min	90-99 min	--
durée du programme avec Désinfection	125-145 min	120-140 min	115-130 min	--
consommation d'eau	16.7-21.9 L 4.4-5.8 gal	11.1-20.0 L 2.9-5.3 gal	8.2-16.3 L 2.2-4.3 gal	4.0 L 1.0 gal
température de l'eau	66-71°C 151-160°F	55-66°C 131-151°F	50-55°C 122-131°F	incoming incoming
température de rinçage	72°C 162°F	70°C 158°F	65-69°C 149-156°F	incoming incoming

Remarque : seuls les programmes sanitaires sont prévus pour satisfaire aux exigences de niveau 6 en matière d'efficacité d'élimination des saletés et de désinfection. Il n'existe aucune intention, directe ou indirecte, que tous les programmes aient réussi les tests de performance en désinfection.

## Fonctionnement du lave-vaisselle

### Démarrez le lave-vaisselle

- 1 Ouvrir la porte et appuyez sur la touche **[On/Off]**. Le voyant DEL du dernier cycle sélectionné clignote.
- 2 Sélectionnez un programme et les options voulues.
- 3 Appuyer sur **[START]** et fermez la porte pour que le programme démarre.

### Pour annuler un programme

- 1 Ouvrir la porte.
- 2 Appuyer et maintenir la touche **[START]** enfoncée pendant environ 4 seconde jusqu'à ce que « **0:01** » clignote sur l'affichage.
- 3 Le cycle dure environ 1 minute.
- 4 Ouvrir la porte et appuyez sur la touche **[On/Off]**.

### Pour interrompre un programme

- 1 Ouvrir la porte.
- 2 Appuyer sur **[On/Off]**.
- 3 Pour continuer le cycle, appuyer de nouveau sur **[ON/OFF]** et fermer la porte.

### Pour définir la quantité d'agent de rinçage

La quantité de produit de rinçage versée peut être ajustée entre « r:00 » et « r:06 ».

Modification du paramètre :

- 1 Ouvrir la porte et appuyez sur la touche **[On/Off]**.
- 2 Maintenir la touche **A** enfoncée et appuyer et maintenir la touche **[START]** enfoncée jusqu'à ce que l'affichage indique « **H:00** ».
- 3 Relâcher les deux touches.
- 4 Appuyer sur **A** jusqu'à ce que l'affichage indique « **r:05** ».
- 5 Appuyer sur **C** pour sélectionner le paramètre souhaité.
  - « **r:00** » = le distributeur est désactivé
  - « **r:01** » = paramètre le plus faible
  - « **r:02** » = paramètre faible
  - « **r:03** » = paramètre moyen
  - « **r:04** » = paramètre moyen-élevé
  - « **r:05** » = paramètre élevé
  - « **r:06** » = paramètre le plus élevé
- 6 Sauvegarder le paramètre sélectionné en appuyant sur **[START]** et fermer la porte.

## Mise en marche différée

L'on peut retarder la mise en marche de 1 h à 24 h.

- 1 Ouvrir la porte et allumer le lave-vaisselle en appuyant sur **[ON/OFF]**.
- 2 Presser la touche **[+]** jusqu'à ce que « **h:01** » à l'affichage.
- 3 Presser la touche **[+]** ou **[-]** jusqu'à ce que la durée désirée s'affiche.  
« **h:01** » = 1 heure  
« **h:24** » = 24 heures
- 4 Appuyer sur **[START]** pour sauvegarder le paramètre et fermer la porte.

Pour supprimer la programmation:

- 1 Presser la touche **[+]** ou **[-]** jusqu'à ce que « **h:00** » à l'affichage.
- 2 Appuyer et maintenir la touche **[START]** enfoncée pendant environ 3 seconde.

## InfoLight® (certains modèles)

Un voyant DEL illumine le sol pour indiquer que l'appareil est en fonction. Si l'appareil est installé à hauteur d'oeil, le voyant DEL n'est pas visible.

Modification du paramètre :

- 1 Ouvrir la porte et appuyez sur la touche **[On/Off]**.
- 2 Maintenir la touche **A** enfoncée et appuyer et maintenir la touche **[START]** enfoncée jusqu'à ce que l'affichage indique « **H:00** ».
- 3 Relâcher les deux touches.
- 4 Appuyer sur **A** jusqu'à ce que l'affichage indique « **1:01** ».

Appuyer sur **C** pour basculer entre « **1:01** » = ON (Activer) et « **1:00** » = OFF (Désactiver) et appuyer sur **[START]** pour sauvegarder votre paramètre.

## Signal de fin de cycle (certains modèles)

- 1 Ouvrir la porte et allumer le lave-vaisselle en appuyant sur **[ON/OFF]**.
- 2 Maintenir la touche **A** enfoncée et appuyer et maintenir la touche **[START]** enfoncée jusqu'à ce que l'affichage indique « **H:00** ».
- 3 Relâcher les deux touches.
- 4 Appuyer sur **A** jusqu'à ce que l'affichage indique « **b:02** ».
- 5 Appuyer sur **C** pour augmenter ou diminuer la tonalité du signal entre « **b:00** » = désactiver et « **b:03** » = maximum.
- 6 Appuyer sur **[START]** pour sauvegarder le paramètre et fermer la porte.

## Séchage Intensif

Le rinçage final utilise une température plus élevée afin d'améliorer les résultats de séchage. La durée d'exécution peut légèrement augmenter. (Faire attention si les ustensiles sont délicats !)

- 1 Ouvrir la porte et allumer le lave-vaisselle en appuyant sur **[ON/OFF]**.
- 2 Maintenir la touche **A** enfoncée et appuyer et maintenir la touche **[START]** enfoncée jusqu'à ce que l'affichage indique « **H:00** ».
- 3 Relâcher les deux touches.
- 4 Appuyer sur **A** jusqu'à ce que l'affichage indique « **d:00** ».
- 5 Appuyer sur **C** pour activer le séchage intensif « **d:01** » = activer et « **d:00** » = désactiver.
- 6 Appuyer sur **[START]** pour sauvegarder le paramètre et fermer la porte.

## Mise hors tension automatique

Pour économiser l'énergie, le lave-vaisselle est tourné outre de 1 minute après les fins de cycle de lavage. La mise hors tension automatique peut être ajustée de « **P : 00** » « à **P : 02** ».

- 1 Ouvrir la porte et allumer le lave-vaisselle en appuyant sur **[ON/OFF]**.
- 2 Maintenir la touche **A** enfoncée et appuyer et maintenir la touche **[START]** enfoncée jusqu'à ce que l'affichage indique « **H:00** ».
- 3 Relâcher les deux touches.
- 4 Appuyer sur **A** jusqu'à ce que l'affichage indique « **P:01** ».
- 5 Appuyer sur **C** pour sélectionner le paramètre souhaité.  
« **P:00** » = le lave-vaisselle ne s'éteint pas automatiquement  
« **P:01** » = le lave-vaisselle s'éteint automatiquement après 1 minute  
« **P:02** » = le lave-vaisselle s'éteint automatiquement après 120 minutes (2 heures)
- 6 Appuyer sur **[START]** pour sauvegarder le paramètre et fermer la porte.

# Nettoyage et entretien

Certaines parties du lave-vaisselle nécessitent un entretien occasionnel. Les opérations d'entretien sont faciles à effectuer et permettent d'obtenir continuellement un excellent rendement de votre lave-vaisselle.

## Conditions générales

Ne jamais utiliser un nettoyeur à vapeur avec le lave-vaisselle. Le fabricant n'est pas responsable des dommages encourus.

Essuyer régulièrement le devant de l'appareil avec un chiffon humide (une solution d'eau et de détergent est adéquate).

Ne pas utiliser d'éponge à surface rugueuse ni de détergent abrasif car ils peuvent endommager les surfaces.

Appareil en acier inoxydable : pour éviter la corrosion, ne pas utiliser de chiffon éponge, ni laver plusieurs fois avant d'utiliser l'appareil la première fois.

## Filtres

Les filtres permettent de garder les objets étrangers de l'eau de rinçage loin de la pompe. Ils peuvent parfois obstruer les filtres.

Vérifier les filtres

- Dévisser le filtre cylindrique tel qu'il est illustré et le sortir voir **Figure 8-9**.
- Enlever tout résidu et le passer à l'eau courante.
- Réinstaller le système de filtre et s'assurer que les flèches sont à l'opposées l'une de l'autre une fois le système de filtre fermé

## Bras gicleurs

Du calcaire ou des contaminants dans l'eau de rinçage peuvent obstruer les embouts et les roulements des bras gicleurs.

- Vérifier si les embouts des bras gicleurs sont obstrués.
- Dévisser le bras gicleur supérieur. Voir **Figure 10**.
- Enlever le bras gicleur inférieur.

## Pompe d'eau usée

Les résidus d'aliments de l'eau de rinçage non captés par les filtres peuvent obstruer la pompe à eau usée. L'eau de rinçage ne peut être pompée et recouvre le filtre.

Dans ce cas :

- Débrancher l'appareil de l'alimentation électrique.
- Enlever les filtres.
- Vider l'eau à l'aide d'une éponge, au besoin.
- Avec une cuillère, enlever le couvercle de la pompe, tel qu'il est illustré, ensuite prendre le couvercle par la languette et tirer vers le haut jusqu'à résistance, puis le sortir (voir **Figure 11-12**).
- Vérifier l'intérieur du compartiment et enlever tout objet étranger.
- Remettre le couvercle à sa position d'origine.
- Installer le filtre.

Figure 8

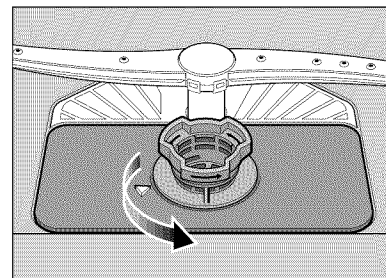


Figure 9

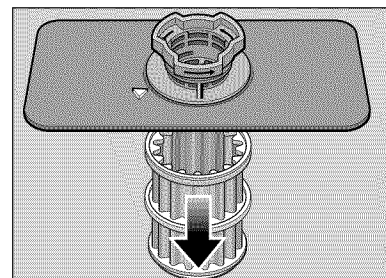


Figure 10

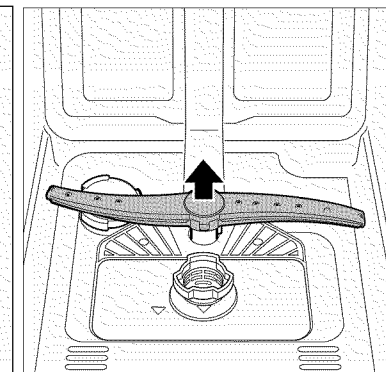
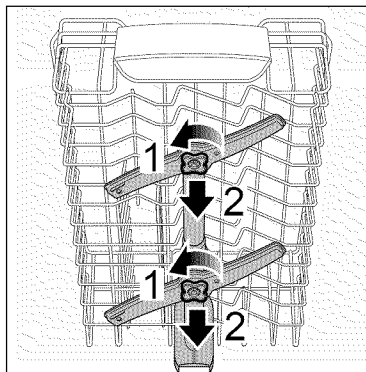


Figure 11

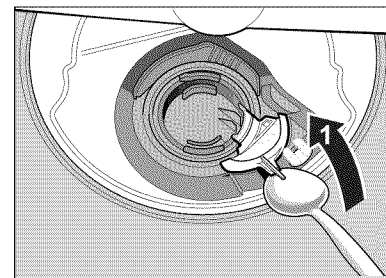
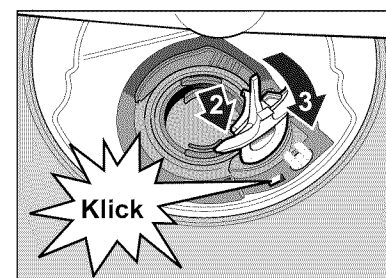


Figure 12



# Aide automatique

Problème	Cause	Action à prendre
Le lave-vaisselle ne se met pas en marche	<ol style="list-style-type: none"><li>1. La porte est peut-être mal enclenchée.</li><li>2. L'appareil n'est peut-être pas allumé.</li><li>3. La machine n'a pas été réinitialisée ou le programme précédent n'est pas terminé.</li><li>4. La mise en marche différée est activée.</li><li>5. Interruption de l'alimentation électrique du lave-vaisselle ou fusible ayant sauté.</li><li>6. La porte a peut-être été fermée avant d'avoir choisi le programme.</li><li>7. Le robinet d'alimentation en eau n'est peut-être pas ouvert.</li></ol>	<ol style="list-style-type: none"><li>1. Fermez complètement la porte.</li><li>2. Appuyez sur le commutateur principal pour allumer la machine.</li><li>3. Pour réinitialiser la machine, reportez-vous à la section de ce guide intitulée « Annulation ou modification du programme ».</li><li>4. Pour réinitialiser la machine, reportez-vous à la section de ce guide intitulée « Mise en marche différée ».</li><li>5. Vérifiez le disjoncteur.</li><li>6. Sélectionnez un programme et fermez la porte.</li><li>7. Vérifiez et ouvrez le robinet d'alimentation en eau.</li></ol>
Le lave-vaisselle émet un bip sonore (signal de fin de programme)	<ol style="list-style-type: none"><li>1. Les paramètres usine par défaut avertissent l'utilisateur que le programme de lavage est terminé en émettant un bip sonore. Cette fonction peut être désactivée au besoin.</li></ol>	<ol style="list-style-type: none"><li>1. Pour régler le volume sonore ou désactiver cette fonction, reportez-vous à la section de ce guide intitulée « Signal de fin de programme ».</li></ol>
L'afficheur ne s'allume pas	<ol style="list-style-type: none"><li>1. Un fusible a peut-être sauté ou le disjoncteur s'est déclenché.</li><li>2. La porte est mal fermée ou mal enclenchée.</li></ol> <p>Remarque : pour les modèles équipés de commandes situées sur la partie supérieure de la porte, l'afficheur ne s'allume que lorsque la porte est ouverte et les commandes sont visibles.</p>	<ol style="list-style-type: none"><li>1. Vérifiez le fusible ou le boîtier de disjoncteurs et remplacez le fusible ou réarmez le disjoncteur le cas échéant.</li><li>2. Assurez-vous que la porte est correctement enclenchée et complètement fermée.</li></ol>
Le programme de lavage semble durer trop longtemps	<ol style="list-style-type: none"><li>1. L'eau qui alimente le lave-vaisselle n'est pas assez chaude.</li><li>2. La durée du programme peut varier en fonction de la saleté de la vaisselle et de la qualité de l'eau.</li><li>3. Le distributeur de produit de rinçage est vide.</li><li>4. Le lave-vaisselle est branché sur une conduite d'eau froide.</li></ol> <p>Remarque : reportez-vous à la section de ce guide intitulée « Informations sur les programmes de lavage » pour obtenir la durée de programme type.</p>	<ol style="list-style-type: none"><li>1. Avant de démarrer un programme, faites couler le robinet d'eau chaude de l'évier le plus proche du lave-vaisselle.</li><li>2. Les capteurs du lave-vaisselle augmentent automatiquement la durée du programme pour une vaisselle bien propre en cas de détection d'une quantité importante de saletés sur la vaisselle.</li><li>3. Versez le produit de rinçage dans le distributeur.</li><li>4. Vérifiez que le lave-vaisselle est bien raccordé à la tuyauterie d'arrivée d'eau chaude.</li></ol>
La vaisselle est mal lavée	<ol style="list-style-type: none"><li>1. Quelque chose empêche le bras de lavage de tourner.</li><li>2. Quelque chose bouche les jets du bras d'aspersion.</li><li>3. Mauvaise utilisation des détergents.</li><li>4. Les filtres sont peut-être bouchés.</li><li>5. Les pièces de vaisselle sont imbriquées les unes dans les autres ou disposées trop près les unes des autres.</li><li>6. Le programme de lavage choisi ne convient pas aux conditions de saleté de la vaisselle.</li></ol>	<ol style="list-style-type: none"><li>1. Assurez-vous que le mouvement de rotation des bras d'aspersion n'est pas bloqué en faisant pivoter ces derniers à la main.</li><li>2. Retirez les bras d'aspersion et nettoyez-les en suivant les consignes du paragraphe figurant dans la section de ce guide intitulée « Nettoyage et entretien ».</li><li>3. Augmentez ou diminuez la quantité de détergent selon la dureté de l'eau. Reportez-vous au tableau 1.</li><li>4. Nettoyer les filtres. Reportez-vous la section de ce guide intitulée « Nettoyage et entretien ».</li><li>5. Changez la disposition de la vaisselle afin que le jet d'eau puisse asperger correctement toutes les pièces. Reportez-vous également la section de ce guide intitulée « Chargement de la vaisselle ».</li><li>6. Reportez-vous également à « Programme de lavage » dans la section de ce guide intitulée « Fonctionnement du lave-vaisselle ».</li></ol>
La vaisselle n'est pas bien sèche	<ol style="list-style-type: none"><li>1. Le distributeur de produit de rinçage est vide. (Le voyant du produit de rinçage est activé).</li><li>2. Mauvais chargement de la vaisselle.</li><li>3. Le programme choisi ne comprend pas le séchage.</li></ol> <p>Remarque : en général, les ustensiles en plastique et en Téflon ne sèchent pas aussi bien que d'autres ustensiles en raison des propriétés inhérentes à ces types de matériaux.</p>	<ol style="list-style-type: none"><li>1. Versez le produit de rinçage dans le distributeur. L'utilisation d'un produit de rinçage améliore le séchage.</li><li>2. Changez la disposition de la vaisselle pour veiller à ce que les articles ne soient pas imbriqués les uns dans les autres. Reportez-vous également à la section de ce guide intitulée « Chargement de la vaisselle ».</li><li>3. Le paramètre Rinçage et attente ne comprend pas de programme de séchage.</li></ol>

Problème	Cause	Action à prendre
Odeur	<ol style="list-style-type: none"> <li>1. Des déchets alimentaires se sont accumulés au fond du lave-vaisselle.</li> <li>2. Des particules d'aliments se sont accumulées près du joint d'étanchéité de la porte.</li> <li>3. La vaisselle est restée trop longtemps dans le lave-vaisselle avant le lancement d'un programme.</li> <li>4. De l'eau résiduelle s'est accumulée au fond du lave-vaisselle.</li> <li>5. Le tuyau de vidange est obstrué.</li> </ol>	<ol style="list-style-type: none"> <li>1. Retirez les filtres et nettoyez-les conformément à la section de ce guide intitulée « Nettoyage et entretien ».</li> <li>2. Reportez-vous à « Nettoyage et entretien » dans la section de ce guide.</li> <li>3. Si vous n'avez pas l'intention de laver la vaisselle immédiatement, lancez le programme Rinse/Hold (Rinçage/Attente).</li> <li>4. Assurez-vous que l'opération de vidange du programme précédent est complètement terminée.</li> <li>5. Pour éliminer les objets pouvant obstruer le tuyau de vidange, faites appel à un personnel qualifié.</li> </ol> <p>Remarque : si les problèmes d'odeur persistent, lancez le programme de lavage Normal/Regular (Normal) jusqu'au rinçage puis interrompez le programme et versez une tasse de 255 ml (8 oz) de vinaigre blanc distillé sur le panier supérieur. Terminez ensuite le programme.</p>
Le lave-vaisselle ne se remplit pas d'eau	<ol style="list-style-type: none"> <li>1. Obstruction au niveau du réseau d'alimentation en eau.</li> <li>2. Le programme de lavage précédent n'est pas terminé.</li> <li>3. La fonction de mise en marche différée est activée.</li> <li>4. HL'alimentation en eau domestique est coupée</li> </ol>	<ol style="list-style-type: none"> <li>1. Assurez-vous que le robinet d'arrivée d'eau (en général situé sous l'évier de la cuisine) est ouvert et vérifiez que la conduite d'alimentation n'est ni pliée ni bouchée.</li> <li>2. Reportez-vous à la section de ce guide intitulée « Fonctionnement du lave-vaisselle ».</li> <li>3. Annulez la mise en marche différée ou attendez que la période de mise en marche différée soit terminée ou que ce délai expire.</li> <li>4. Ouvrez l'alimentation en eau domestique</li> </ol>
Fuites d'eau	<ol style="list-style-type: none"> <li>1. Mousse</li> <li>2. Le joint d'étanchéité peut être sorti de la rainure.</li> <li>3. L'évent de condensation est bloqué.</li> <li>4. Mauvaise installation.</li> </ol>	<ol style="list-style-type: none"> <li>1. Les détergents inadéquats ont tendance à produire de la mousse et à provoquer des fuites. Utilisez uniquement des détergents pour lave-vaisselle. Si le problème de mousse persiste, mettez une cuillère à soupe d'huile végétale au fond du lave-vaisselle et lancez le programme voulu.</li> <li>2. Assurez-vous que le joint d'étanchéité est bien inséré dans la rainure.</li> <li>3. Assurez-vous que l'évent de condensation n'est pas bloqué.</li> <li>4. Faites vérifier l'installation par un personnel qualifié (alimentation en eau, système de vidange, mise à niveau, tuyauterie).</li> </ol>
Taches apparaissant dans la cuve	<ol style="list-style-type: none"> <li>1. Les taches qui se forment à l'intérieur du lave-vaisselle sont dues à la dureté de l'eau.</li> <li>2. Les couverts sont en contact avec les parois de la cuve.</li> </ol>	<ol style="list-style-type: none"> <li>1. L'emploi de jus de citron concentré peut réduire l'accumulation de taches d'eau dure. Lancez un programme de lavage normal jusqu'au rinçage puis interrompez le programme et versez une tasse de 250 ml (8 oz. liq.) de citron concentré sur le panier supérieur. Terminez ensuite le programme. Ceci peut être fait périodiquement pour prévenir l'accumulation de taches.</li> <li>2. Assurez-vous que les couverts n'entrent pas en contact avec les parois de la cuve pendant le déroulement d'un programme.</li> </ol>
Apparition de films d'eau sur les verres ou de résidus sur la vaisselle	<ol style="list-style-type: none"> <li>1. Mauvais dosage du produit de rinçage.</li> </ol>	<ol style="list-style-type: none"> <li>1. Réglez le distributeur du produit de rinçage en fonction de la dureté de l'eau. Pour des informations sur le dosage, reportez-vous à la section de ce guide intitulée « Ajout de détergent et de produit de rinçage ».</li> </ol>
Le panneau avant est décoloré ou rayé	<ol style="list-style-type: none"> <li>1. Vous avez utilisé un produit d'entretien abrasif</li> </ol>	<ol style="list-style-type: none"> <li>1. Utilisez des détergents non abrasifs et un linge humide doux.</li> </ol>
Fonctionnement bruyant pendant le déroulement du programme de lavage	<ol style="list-style-type: none"> <li>1. La vaisselle n'est pas correctement disposée.</li> </ol>	<ol style="list-style-type: none"> <li>1. Les sons correspondant à la circulation de l'eau sont normaux, mais si vous soupçonnez que des pièces de vaisselle se cognent entre elles ou touchent les bras d'aspersion, reportez-vous à la section du présent guide intitulée « Préparation et chargement de la vaisselle » pour connaître la disposition optimale de la vaisselle.</li> </ol>
Le couvercle du distributeur de détergent ne se ferme pas	<ol style="list-style-type: none"> <li>1. Mauvais fonctionnement du couvercle du distributeur de détergent.</li> <li>2. Le programme précédent n'est pas terminé ; réinitialisation ou interruption du programme.</li> </ol>	<ol style="list-style-type: none"> <li>1. Reportez-vous à la section de ce guide intitulée « Ajout de détergent et de produit de rinçage » pour des instructions sur l'ouverture et la fermeture du distributeur.</li> <li>2. Reportez-vous à la section de ce guide intitulée « Annulation ou modification du programme ».</li> </ol>
Impossible de sélectionner le programme voulu	<ol style="list-style-type: none"> <li>1. Le programme précédent n'est pas terminé</li> </ol>	<ol style="list-style-type: none"> <li>1. Reportez-vous à la section de ce guide intitulée « Annulation ou modification du programme ».</li> </ol>

# Service après-vente

Votre lave-vaisselle Bosch® ne requiert aucun entretien spécial autre que celui décrit à la section Nettoyage et entretien du présent guide. En cas de problème avec votre lave-vaisselle, avant de faire appel aux services d'un technicien, reportez-vous à la section Aide automatique du guide. Si un technicien doit intervenir, communiquer avec votre revendeur ou installateur ou avec un service de réparation autorisé. Ne pas tenter de réparer soi-même l'appareil. Toute réparation effectuée par un personnel non autorisé peut être une cause d'annulation de la garantie.

Si votre lave-vaisselle Bosch® vous pose un problème et si vous n'êtes pas satisfait du service que vous avez reçu, veuillez effectuer les démarches suivantes jusqu'à ce que votre problème soit résolu à votre entière satisfaction :

- 1 Téléphonez au 1-800-944-2904
- 2 Communiquez avec le service après-vente à partir de notre site Web :  
*www.bosch-home.com/us or www.bosch-appliances.ca*
- 3 Communiquez avec l'installateur ou le prestataire de service après-vente agréé de Bosch® de votre région.
- 4 Écrivez à :

*<http://www.bosch-home.com/us/customer-support/contact-us.html>*

Assurez-vous d'inclure les informations sur le modèle ainsi qu'une explication du problème et la date à laquelle il s'est produit.

Vous trouverez le numéro de modèle et le numéro de série sur l'étiquette située sur le bord de la porte du lave-vaisselle.

Veuillez faire une copie de votre facture et conservez-la avec ce guide. Le client doit fournir une preuve d'achat pour bénéficier du service de garantie.

# Informations concernant la garantie

**Ce que couvre cette garantie et à qui elle s'applique :** la garantie limitée fournie par BSH Home Appliances Corporation (« BSH ») dans cet énoncé de garantie limitée de produit s'applique uniquement aux lave-vaisselle Bosch® (le « produit ») vendus au client, le premier acheteur utilisateur, à la condition que le produit ait été acheté : (1) Pour votre usage domestique normal (non commercial) et qu'il ait effectivement en tout temps été utilisé uniquement à des fins domestiques normales. (2) À l'état neuf au détail (et non comme un modèle d'exposition, « tel quel » ou ayant déjà été retourné), et non à des fins de revente ou d'utilisation commerciale. (3) Aux États-Unis ou au Canada, et qu'il soit en tout temps demeuré dans le pays de l'achat initial. Les garanties énoncées aux présentes s'appliquent uniquement à l'acheteur initial du produit et ne sont pas cessibles.

• Assurez-vous de renvoyer la carte d'enregistrement ; bien que cette démarche ne soit pas nécessaire pour que la garantie soit valide, c'est la meilleure façon de permettre à BSH de vous avertir dans l'éventualité improbable d'un avis de sécurité ou d'un retrait de produit du marché.

**Durée de la garantie :** BSH garantit que le produit est exempt de défauts de matériaux et de fabrication pendant une période de trois cent soixante-cinq (365) jours à compter de la date d'achat. Le délai précité commence à courir à partir de la date d'achat et ne doit pas, pour quelque raison que ce soit, être différé, faire l'objet de droits, être prolongé ou suspendu. Les frais de main d'œuvre et d'expédition sont compris dans la couverture de base.

**Garantie limitée prolongée :** BSH offre également les garanties limitées supplémentaires suivantes :

- Garantie limitée de cinq (5) ans sur les composants électroniques : BSH réparera ou remplacera tout microprocesseur ou carte de circuit imprimé BSH présentant des défauts de matériaux ou de fabrication (frais de main d'œuvre exclus).
- Garantie limitée de cinq (5) ans sur les paniers à vaisselle : BSH remplacera les paniers à vaisselle supérieur ou inférieur (à l'exclusion des composants du panier), si le panier présente des défauts de matière ou de fabrication (frais de main d'œuvre exclus).
- Garantie à vie contre la rouille de l'acier inoxydable : BSH remplacera votre lave-vaisselle par un modèle identique ou un modèle courant sensiblement équivalent ou supérieur en termes de fonctionnalité, si le revêtement intérieur est perforé par la rouille (frais de main d'œuvre exclus). BSH remplacera la porte en acier inoxydable si celle-ci est perforée par la rouille (frais de main d'œuvre exclus).
- Le délai précité commence à courir à partir de la date d'achat et ne doit pas, pour quelque raison que ce soit, être différé, faire l'objet de droits, être prolongé ou suspendu.

**La réparation ou le remplacement du produit constitue votre recours exclusif :** Pendant la période de la présente garantie, BSH ou l'un de ses prestataires de service après-vente agréés réparera votre produit sans frais de votre part (sous réserve de certaines restrictions précisées aux présentes) s'il s'avère que votre produit a été fabriqué en incorporant un défaut de matériaux ou de fabrication. Si des tentatives raisonnables de réparation du produit ont été effectuées sans succès, BSH remplacera votre produit (des modèles améliorés peuvent vous être offerts, à la discrétion exclusive de BSH, moyennant des frais supplémentaires). Toutes les pièces et tous les composants enlevés deviendront la propriété de BSH à sa discrétion exclusive. Toutes les pièces remplacées et/ou réparées devront être similaires à la pièce d'origine aux fins de la présente garantie et cette garantie ne sera pas prolongée eu égard à ces pièces. En vertu des présentes, BSH assume la responsabilité et l'obligation exclusives vis-à-vis de la réparation d'un produit comportant un défaut de fabrication uniquement, en ayant recours à un prestataire de services après-vente agréé de BSH pendant les heures normales de travail. Par souci de sécurité et pour des questions de dommages matériels, BSH vous recommande vivement de ne pas tenter de réparer vous-même le produit ni d'avoir recours à un dépanneur non agréé ; BSH ne sera pas responsable et n'assume aucune obligation pour les réparations ou le travail effectués par un dépanneur non agréé. Si vous choisissez de demander à une personne qui n'est pas un prestataire de service après-vente agréé de travailler sur votre produit, LA PRÉSENTE GARANTIE DEVIENDRA AUTOMATIQUEMENT NULLE ET NON AVENUE. Les prestataires de service après-vente agréés sont des personnes ou des sociétés ayant été spécialement formées sur les produits de BSH et qui jouissent, de l'avis de BSH, d'une réputation supérieure en matière de service à la clientèle et de compétences techniques (veuillez noter qu'il s'agit d'entités indépendantes et non de mandataires, d'associés, d'affiliés ou de représentants de BSH). Nonobstant les dispositions précédentes, BSH n'assumera aucune responsabilité ou obligation en ce qui concerne le produit s'il se trouve dans une région éloignée (à plus de 100 milles d'un prestataire de services après-vente agréé) ou s'il est raisonnablement inaccessible ou s'il se trouve dans un lieu, un milieu ou un environnement dangereux, menaçant ou traître ; auquel cas, sur votre demande, BSH paiera quand même la main d'œuvre et les pièces et expédiera les pièces au prestataire de services après-vente agréé le plus proche. Toutefois, vous restez quand même entièrement responsable pour et serez dans l'obligation de payer les frais de déplacement ou autres frais spéciaux appliqués par la société de services après-vente, dans l'hypothèse où elle accepte de faire le déplacement en vue d'effectuer la réparation.

**Produit qui n'est plus couvert par la garantie :** BSH n'est pas tenue, en droit ou autrement, de vous consentir quoi que ce soit, y compris des réparations, des tarifs proportionnels ou un remplacement de produit, après l'expiration de la garantie.

**Exclusions de la garantie :** La couverture de la garantie décrite aux présentes exclut tous les défauts ou dommages qui ne résultent pas d'une faute directe de BSH, y compris, sans toutefois s'y limiter, un ou plusieurs des éléments suivants : (1) L'utilisation du produit à toute autre fin que son usage normal, habituel et prévu (y compris, sans toutefois s'y limiter, toute forme d'usage commercial, l'usage ou l'entreposage à l'extérieur d'un produit devant être utilisé à l'intérieur, l'utilisation du produit conjointement avec un aéronef ou un bateau). (2) La conduite répréhensible volontaire, la négligence, la mauvaise utilisation, l'utilisation abusive, les accidents, la négligence, le fonctionnement abusif, le refus d'entretien, l'installation irrégulière ou négligente, l'altération, le non respect du mode d'emploi, les fausses manœuvres, les réparations non agréées (y compris la réparation effectuée soi-même ou l'exploration des mécanismes internes de l'appareil) de la part de toute partie. (3) La rectification, l'altération ou la modification, quelle qu'en soit la nature. (4) Le non-respect des codes, règlements ou lois applicables d'État, locaux, municipaux ou de comté régissant l'électricité, la plomberie et/ou le bâtiment, y compris le manquement à l'obligation d'installer le produit dans le respect le plus strict des codes et règlements locaux du bâtiment et en matière de prévention des incendies. (5) L'usure normale, le renversement d'aliments, de liquides, les accumulations de graisse ou les autres substances qui s'accumulent sur le produit, à l'intérieur ou autour de celui-ci. (6) Les forces et facteurs externes, exercés par les éléments et/ou l'environnement, y compris, sans toutefois s'y limiter, la pluie, le vent, le sable, les inondations, les incendies, les glissements de terrain, les températures glaciales, l'humidité excessive ou l'exposition prolongée à l'humidité, la foudre, la surtension électrique, les défaillances des structures qui entourent l'appareil et les cas de force majeure. BSH ne sera en aucun cas responsable et n'aura aucune obligation de quelque manière que ce soit quant aux dommages occasionnés aux biens environnants, y compris les armoires de rangement, les planchers, les plafonds et les autres structures ou objets qui se trouvent à proximité du produit. Sont également exclus de la présente garantie les griffures, les encoches, les bosselures et les dommages touchant l'aspect des surfaces externes et des pièces exposées ; les produits dont les numéros de série ont été modifiés, oblitérés ou enlevés ; les visites après-vente pour vous enseigner à utiliser le produit, ou les déplacements lorsque le produit ne présente aucun problème ; la résolution de problèmes d'installation (vous êtes entièrement responsable de toute structure et mise en place du produit, y compris les installations électriques, de plomberie ou autres installations de raccordement, de la mise en place de fondations ou d'un parquet appropriés, et de toute modification, y compris, sans toutefois s'y limiter, celles devant être apportées aux armoires de rangement, murs, planchers, rayonnages, etc.) ; ainsi que le réenclenchement des disjoncteurs ou des fusibles.

DANS LA MESURE OÙ LA LOI L'AUTORISE, LA PRÉSENTE GARANTIE STIPULE VOS RECOURS EXCLUSIFS À L'ÉGARD DU PRODUIT, QUE LA RÉCLAMATION SOIT OU NON DE NATURE CONTRACTUELLE OU DÉLICTUELLE (Y COMPRIS LA RESPONSABILITÉ ABSOLUE OU LA NÉGLIGENCE) OU AUTRE. €LA PRÉSENTE GARANTIE REMPLACE TOUTES LES AUTRES GARANTIES, EXPRESSES OU IMPLICITES. TOUTE GARANTIE IMPLICITE EN VERTU DE LA LOI, QUE CE SOIT À DES FINS DE QUALITÉ MARCHANDE OU D'ADAPTATION À UN USAGE PARTICULIER, OU AUTREMENT, EST EN VIGUEUR UNIQUEMENT PENDANT LA PÉRIODE AU COURS DE LAQUELLE LA PRÉSENTE GARANTIE LIMITÉE EXPRESSE EST EN VIGUEUR. §LE FABRICANT N'EST AUCUNEMENT RESPONSABLE DES DOMMAGES, PERTES OU FRAIS CONSÉCUTIFS, PARTICULIERS, ACCESSOIRES, INDIRECTS ET/OU PUNITIFS, DES « PERTES COMMERCIALES », Y COMPRIS, SANS TOUTEFOIS S'Y LIMITER, LE TEMPS D'ABSENCE AU TRAVAIL, L'HÉBERGEMENT À L'HÔTEL ET/OU LES REPAS AU RESTAURANT, LES FRAIS DE REMANIEMENT EN EXCÉDENT DES DOMMAGES DIRECTS QUI SONT CAUSÉS DÉFINITIVEMENT ET EXCLUSIVEMENT PAR BSH, OU AUTREMENT. §CERTAINS ÉTATS NE PERMETTENT PAS L'EXCLUSION OU LA LIMITATION DES DOMMAGES INDIRECTS OU ACCESSOIRES ET CERTAINS ÉTATS NE PERMETTENT PAS LA LIMITATION DE LA DURÉE D'UNE GARANTIE IMPLICITE, DE SORTE QUE LES RESTRICTIONS STIPULÉES PLUS HAUT PEUVENT NE PAS S'APPLIQUER À VOUS. LA PRÉSENTE GARANTIE VOUS CONFÈRE DES DROITS LÉGAUX SPÉCIFIQUES ET VOUS POUVEZ AUSSI AVOIR D'AUTRES DROITS QUI VARIENT D'UN ÉTAT À L'AUTRE. Aucune tentative pour modifier la présente garantie n'aura d'effet à moins d'être autorisée par écrit par un dirigeant de BSH.

**Procédure d'obtention du service prévu par la garantie :** POUR BÉNÉFICIER D'UN SERVICE DE GARANTIE POUR VOTRE PRODUIT, COMMUNIQUER AVEC LE CENTRE DE SERVICE APRÈS-VENTE AGRÉÉ DE BSH LE PLUS PROCHE OU TÉLÉPHONEZ AU 800-944-2904.

BSH reserves the right to change specifications or design without notice. Some models are certified for use in Canada. BSH is not responsible for products which are transported from the United States for use in Canada.

Check with your local Canadian distributor or dealer.

BSH se réserve le droit de modifier les données techniques ou le design sans préavis. Certains modèles sont certifiés pour une utilisation au Canada. BSH n'est pas responsable pour les produits transportés des États-Unis pour une utilisation au Canada. Vérifier auprès d'un marchand ou distributeur canadien.

BSH se reserva el derecho de modificar las especificaciones o el diseño sin previo aviso. Algunos modelos están certificados para ser usados en Canadá. BSH no es responsable de productos que son transportados desde los Estados Unidos para ser utilizados en Canadá. Consulte a su distribuidor local en Canadá.